

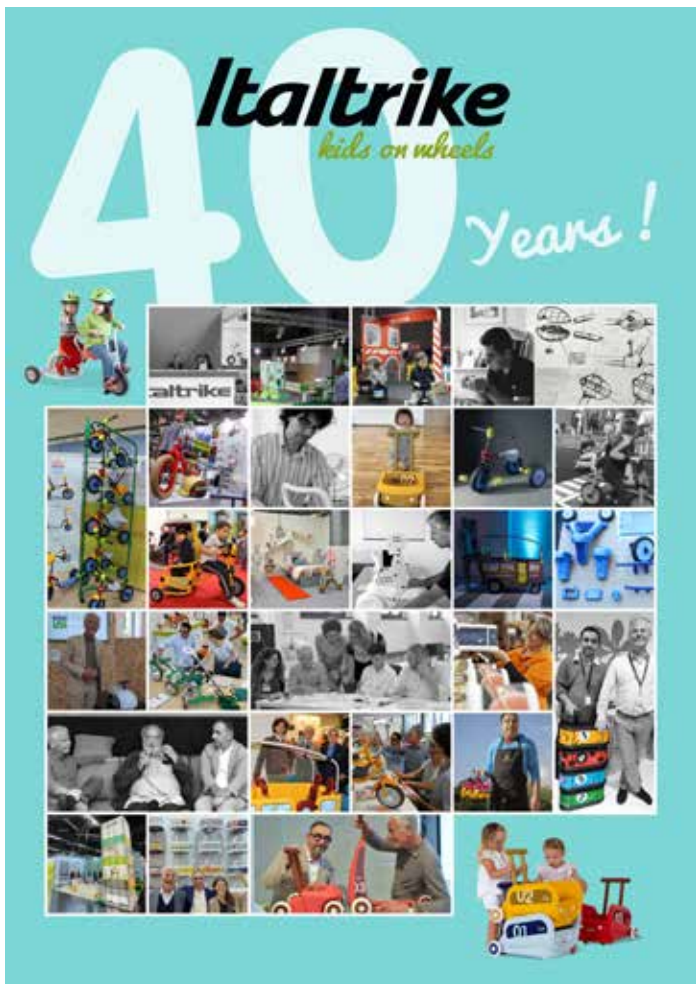
**Italtrike**®  
*kids on wheels*



**40**+  
*Years of experience!*

Since 1983 designing toys on wheels  
for school & home use.





<b>Italtrike</b>	2 - 9
<b>La Cosa</b>	10 - 17
<b>La Cosa 2</b>	18 - 19
<b>Minieolo</b>	20 - 33
<b>Espresso</b>	34 - 39
<b>Eolo+</b>	40 - 45
<b>Pilot</b>	46 - 51
<b>Red Line</b>	52 - 55
<b>Mini Red</b>	56 - 58
<b>Classic</b>	59 - 61
<b>Pro</b>	62 - 69
<b>Big Wheels</b>	70 - 73
<b>Alutrike</b>	74 - 75
<b>Pista</b>	76 - 77
<b>Village</b>	78 - 81
<b>Zero Limits</b>	82 - 83
<b>Flurry</b>	84 - 85
<b>Gioca</b>	86 - 87
<b>Stilts</b>	88
<b>Spare parts</b>	89 - 93



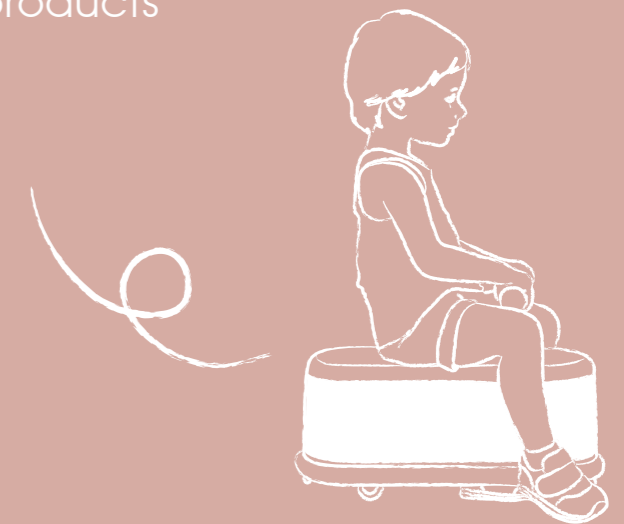
*We have been  
growing together  
since 1983*

**Italtrike's mission** is to ensure the well-being of future generations. Encouraging motor and cognitive development, curiosity and fun for every child **by creating innovative wheeled toys** designed to **preserve the planet** on which they will grow.

Our ride ons, tricycles, bikes and all our wheeled vehicles are designed to provide maximum fun for children and standards in terms of safety, reliability and durability.

The reliability starts with the ergonomic study and the design of the products, the search for resistant and sustainable materials, the selection of suppliers and the tests of solidity to ensure safety.

We put the well-being of children at the heart of our products



### **We are an Italian company :**

Our products and all best kids tricycles are entirely conceived, designed and manufactured near Bassano del Grappa in Veneto, where we were born over 40 years ago.

An area that, thanks to its beauty and the initiative of its people, has been a driving force for our projects and our corporate philosophy.

### **Our vision for the future :**

To always be a step ahead, a benchmark for all our costumers. Innovating the world market for toys on wheels through ethical and excellent products, promoting a healthy and sustainable lifestyle.





# Our design, our passion!

We believe in the value of design to improve the quality of life. For children in particular, design should convey the curiosity, stimulate the movement, and give them serenity.

Our love for beauty and functionality has led us to a very unique and recognizable design that has now become one of the distinctive features of every Italtrike product, together with the quality and durability.

For more than 28 years we worked with the designer Alain Pineau on almost all of our products.

To develop our products, for schools and for home alike we work with child specialists like teachers or medical professionals.

We focus our resources to bring the best to children, from innovations to new materials and concepts.

Italtrike's design aim to provide children with their first trips to freedom and discovery, to encourage them to move and develop their capabilities, motor skills and independence, to "learn to do alone" as Maria Montessori used to say.



## Our credentials



Italtrike has more than 40 years of experience designing wheels toys for the educational and retail market.

Since 1999 **Italtrike** has certified its production with ISO 9001 Quality standard. Since 2010 **Italtrike** has implemented the ISO 45001 for the Safety of workers and ISO 14001 for environmental standards.

ITALTRIKE SRL - Via Pievega 49  
31017 Pieve del Grappa (TV) - Italy  
Tel. +39 0423 946400 - info@italtrike.com  
ITALTRIKE.COM



Italtrike's products are designed and manufactured in complete respect of the latest European and US rules for Toys Safety standards.



Italtrike is a member of the Italian Toy Association.



Italtrike has earned the Gold medal by EcoVadis for year 2022-23-24-25



Italtrike gives a 5 years warranty on forks and frames of its tricycles, and can provide original spare parts to keep its products on the road for years and years.

### PRODUCTION CODE and Warranty terms

All Italtrike products have a Production Code label. On the label is marked a five digit code PXXXXX. By this code, Italtrike can trace the production date and its components. The new EU standards mandates that products must have traceability code. Italtrike has been using this system since 2005. The warranty on Italtrike products can be activated by sending the Production Code to Italtrike's quality department (customer@italtrike.com) together with replacement request and its purchasing details. All replacement parts are listed in this catalogue.



production code label stuck under the seat

## Our awards and recognitions

1996: Product ABC tricycles  
Exhibited at Moma in San Francisco for Toy design.

2013: Product Espresso  
Innovation Award issued by Kind+Jugend

2015: Product Zero tricycle  
Inclusivity Award issued by TG Toys Award

2017: Product La Cosa  
Exhibited in Triennale Design Museum Milano

2018: Product Eolo tricycles  
Sustainable design issued by ADI Index

2019: Product Ginetta  
Design for Kids issued by ADI Index

2020: Product Ginetta  
Selected for "Compasso d'Oro" award

2020: Product Roberto  
Design for kids issued by ADI Index

2021: Product Flurry  
Inclusivity Award issued by TG Toys Award

2022: Product Dino  
Design for Kids issued by ADI Index

2022: Product Roberto  
Best toddler Toy issued by TG Toys Award

2023: Product Valentino  
DIA Design Intelligence Award issued by China Accademy of Art

2023, 2024 and 2025: Company Italtrike  
Gold Medal in Sustainability rating issued by EcoVadis

2024: Product Valentino  
Design for Kids issued by ADI index

2026: Product Valentino selected for  
"Compasso d'Oro" design award  
by ADI index



*Moving with them  
as they grow*

## Movement is well-being

**Movement is fundamental for the healthy development of the psychophysical, cognitive, social and emotional abilities of every child.**


It is in fact through movement that children discover themselves and the world around them, develop new balance and coordination skills, strengthen their bone and muscle structure promoting blood circulation, thus building the basis for a good health.

Physical exercise also promotes mental well-being: by playing while moving the body releases endorphins which increase positive feelings of happiness and freedom, reducing those of stress and anxiety.

The choice of the toy has to be suitable for the age and needs of the child, so as to best stimulate the development of his skills.



**10+ months**  *Supporting their first steps*

**1+ year**  *Onwards!*

**2 years** *Learning to ride* 

**3 years**  *Balance and coordination*

**4 years** *Growing confidence* 

**5 years**  *New challenges*

**6 years** *Freedom of movement* 

# La Cosa

**Italtrike La Cosa is the original ride-on toy** that helps little ones move freely, safely, and **quietly** around the house or school. Children can easily and intuitively move around and experience a sense of freedom, joy and independence. Italtrike La cosa is responsibly made in Italy by Italtrike.



SEE IT IN ACTION



**Italtrike**  
ONE TOY,  
THOUSANDS OF  
ADVENTURES!



## Front wheels turn 360 degrees

Providing excellent agility and effortless maneuverability even in tight spaces

## Rubber-coated wheels

Adapt to any surface without leaving marks (even wood floors) and very quiet

## Safety First: Anti-tip system

Equipped with both rear and front anti-tip systems



## Crash-proof plastic Rounded shapes

To avoid crawling on walls; its rounded shapes do not damage furniture or doors

## Lightweight and Compact

Stackable up to 4 products high. Space saving, perfect for home and school use

## Fixed handlebar

Intuitive steering for more secure riding

## Original Patented Design



## Small compartment under the saddle

To secretly store and carry toys and other treasures

## Sustainable

Body structure in recyclable plastic made up with at least 30% of recycled polymers



## Italtrike Bravo Box

Delivered in 100% paper fiber that's 100% recyclable

## Simple

Very little assembly required: just click in the handlebar and is ready to play



## Italtrike La Cosa Animals

Friends to accompany kids on adventures & stroke their imagination

Product size	48 x 33 x 21 cm 18.9 x 12.9 x 8.27 in
Max loading weight	50 kg/ 110 lbs
Seat Height	21 cm/ 13.98 in
Packaging size *	23 x 50 x 25 cm 9 x 19.7 x 9.4 in
Shipping weight	3 kg/ 6.6 lbs
Master carton 4 pcs *	51 x 47 x 46 cm 20 x 18.5 x 18.1 in
Shipping weight Master carton 4 pcs	13 kg/ 28.6 lbs
Suggested age	FROM 1 TO 6 YEARS

\*Delivered in Italtrike Bravo Box, plastic-free package



**Crocodile**  
2000COC  
8010077200083



**Ladybug**  
2000LBI  
8010077200069



**Panda**  
2000PAN  
8010077200090



**Mouse**  
2000MOU  
8010077200076



**Taxi**  
2000TAX  
8010077200038



**Firetruck**  
2000FTR  
8010077200045



**California Dreams**  
2000PCO  
8010077200014



**Vintage Touring**  
2010VIN  
8010077201028



**Koala**  
2010KOA  
8010077201011



**Lion**  
2000LIO  
8010077200007



**Bee**  
2010BEE  
8010077201035



**Italtrike La Cosa Vehicles**  
A range of vehicles for aspiring drivers



**Police**  
2000POL  
8010077200052



**Ambulance**  
2000AMB  
8010077200021



**Set of 4**  
2000KIT370002



**Set of 4**  
2000KIT370001

## Italtrike La Cosa Pigiama

Extra cushioned with recycled felt, it supports little ones on their journey toward sustainability and into wonderful world of animals.



30% recycled plastic for the body  
2.3 recycled PET bottle in each felt



## Italtrike La Cosa Capsule

A unique and stylish collection featuring light colors and modern graphics

Product size	48 x 33 x 21 cm 18.9 x 12.9 x 8.27 in
Max loading weight	50 kg/ 110 lbs
Seat Height	21 cm/ 13.98 in
Packaging size *	23 x 50 x 25 cm 9 x 19.7 x 9.4 in
Shipping weight	3 kg/ 6.6 lbs
Master carton 4 pcs *	51 x 47 x 46 cm 20 x 18.5 x 18.1 in
Shipping weight Master carton 4 pcs	13 kg/ 28.6 lbs
Suggested age	FROM 1 TO 6 YEARS

\*Delivered in Italtrike Bravo Box, plastic-free package



**Camping**  
2110CAM  
8010077211065



**Giraffe**  
3400GIR  
8010077340048



**Leopard**  
3400LEO  
8010077340017



**Tiger**  
3400TIG  
8010077340031



**Zebra**  
3400ZEB  
8010077340024



**Submarine**  
2110SUB  
8010077211096



**Ambulance**  
2110AMB  
8010077211098



**Fire Truck**  
2110PMP  
8010077211089



**Police**  
2110POL  
8010077211072



**Space**  
2111SPA  
8010077211133



**Forest**  
2111FOR  
8010077211102



## Italtrike La Cosa Explore!

Little imagination can soar into new worlds of exploration



**Lion**  
3300LIO  
8010077330001



**Rhino**  
3300RHI  
8010077330001



## Italtrike La Cosa Soft

A cute animal coats the product giving softness to the seat, which can be easily removed, washed and repositioned for new adventures.

Product size	48 x 33 x 21 cm 18.9 x 12.9 x 8.27 in
Max loading weight	50 kg/ 110 lbs
Seat Height	21 cm/ 13.98 in
Packaging size *	57 x 28.5 x 25.5 cm 22.4 x 11.2 x 10 in
Shipping weight	3.4 kg/ 7.5 lbs
Shipping weight Master carton 4 pcs	13 kg/ 28.6 lbs
Suggested age	FROM 1 TO 6 YEARS

\*Delivered in Italtrike Bravo Box, plastic-free package



**Jungle**  
2111GIU  
8010077211119



**Ocean**  
2111OCE  
8010077211126



**Panda**  
3300PAN  
8010077330001



**Raccon**  
3300RAC  
8010077330001

**Italtrike La Cosa Soft NEW 2026**

A soft cotton cover envelops the La Cosa ride-on, giving it the appearance of four charming animal companions. The cover is thoughtfully designed to be easily removable, fully washable, and effortlessly repositioned.

Product size	48 x 33 x 21 cm 18.9 x 12.9 x 8.27 in
Max loading weight	50 kg/ 110 lbs
Seat Height	21 cm/ 13.98 in
Packaging size *	57 x 28.5 x 25.5 cm 22.4 x 11.2 x 10 in
Shipping weight	3.4 kg/ 7.5 lbs
Suggested age	FROM 1 TO 6 YEARS

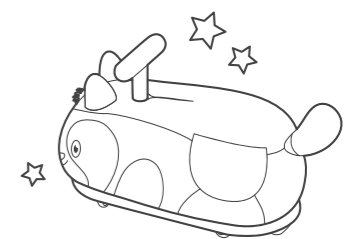
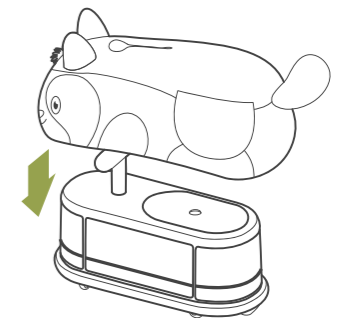
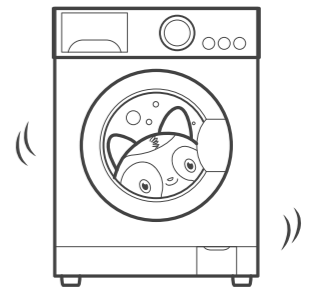
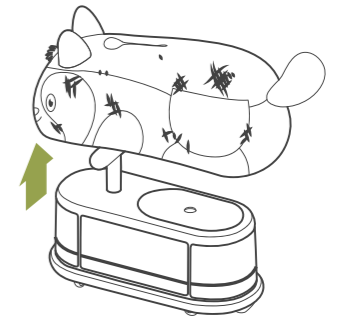
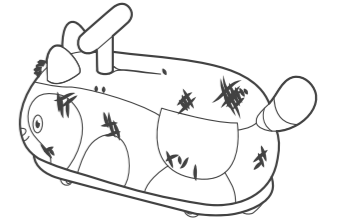
\*Delivered in Italtrike Bravo Box, plastic-free package



**Washable Soft lining**  
**Easy-to-wear lining**  
**Certified Fabrics**  
**Antiallergic Cotton**



**Play, wash Repeat**



**Italtrike**



**Bear**  
3310BEA  
8010077331008



**Whale**  
3310WHA  
8010077331032



**Lion**  
3310LIO  
8010077331015



**Rhino**  
3310RHI  
8010077331022



**Padded Soft Cover**



**Velcro Openings**



**Easy on-off system**



**Italtrike**

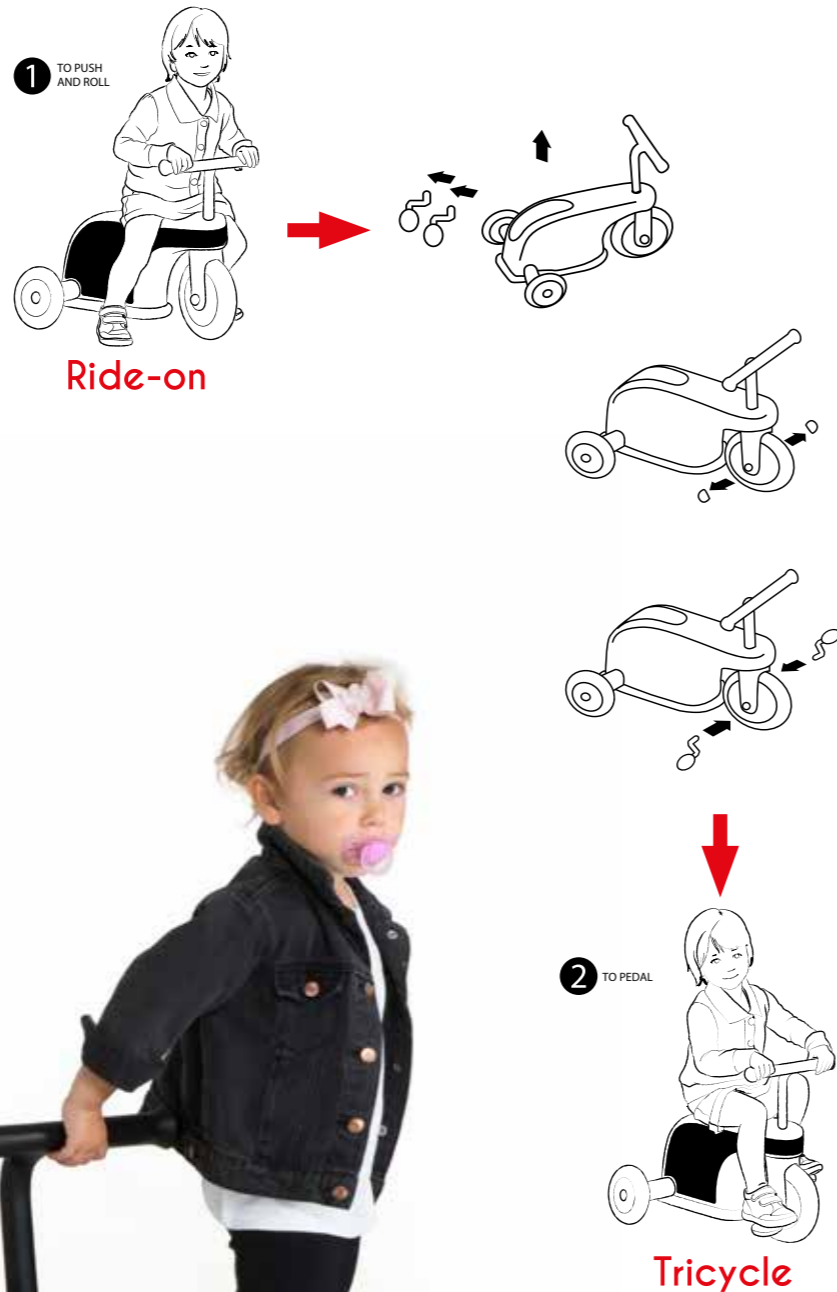
# La Cosa 2

Italtrike La Cosa 2 is the first steps that turns into a tricycle, for children from 1 to 3 years old. **Ride-on and tricycle in a single product.** Designed to accompany children's growth and the development of their motor skills. They can experience new skills and learn the circular movement of pedalling safely at home and in the kindergarten. Made in Italy.



## Small compartment under the saddle

To secretly store and carry toys, pedals and other treasures



## Italtrike La Cosa 2

The evolutionary ride-on toy that transforms into a tricycle - two functions in one.

Product size	47.5 x 21 x 29 cm 18.7 x 8.27 x 11.42 in
Max loading weight	35 kg/ 77 lbs
Seat Height	29 cm/ 11.4 in
Packaging size *	59 x 25 x 30 cm 23.23 x 9.84 x 11.81 in
Shipping weight	5 kg/ 11.02 lbs
Master carton 2 pcs *	61 x 32 x 52 cm 24 x 12.6 x 20.47 in
Shipping weight Master carton 2 pcs	10.7 kg/ 23.6 lbs
Suggested age	FROM 1 TO 3 YEARS

\*Delivered in Italtrike Bravo Box, plastic-free package



**Scooter Red**  
3200SCR990001  
801007320088



**Farmer**  
3200FAR990001  
801007320064



**Chopper**  
3200CHO990001  
801007320071



**Flowers**  
3200FLW990001  
801007320040



**Dragster**  
3200DRA990001  
801007320057



# Minieolo

The evolutionary line of toys on wheels grows with children with a **specific age-appropriate design allowing for motor, cognitive and emotional skill development**. Minieolo has been designed to **minimize environmental impact** and optimize its life cycle. Responsibly **made in Italy by Italtrike**.

FROM 10 MONTHS



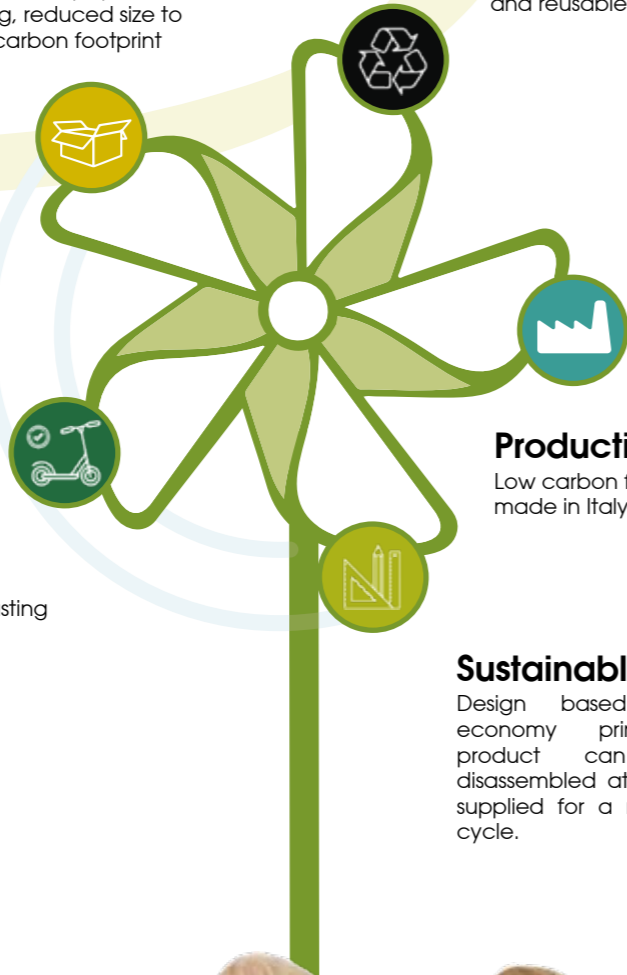
**Bravo Box**  
100% recyclable paper packaging, reduced size to minimize carbon footprint

**Materials**  
A selection of durable, recyclable and reusable materials

**Production**  
Low carbon footprint, responsibly made in Italy

**Sustainable**  
Design based on circular economy principles: each product can be easily disassembled at end-of-life and supplied for a new production cycle.

**Built to last**  
Robust structures and longlasting products



# Italtrike

**Safe**  
Compliant with international safety regulations

**Italtrike "Safety-First"**  
All Minieolo products are equipped for maximum child safety

**Design**  
Features by light, sinous and modern shapes with timeless profile

**Super quiet**  
Equipped with soft-coated wheels, that won't damage floors (even wooden ones)

**Lightweight and stackable**  
Minieolo products can be stacked one on top of the other to save space and neat storage

**Simple**  
Come almost fully assembled: one "click" and they are ready to play. No maintenance required

**REGISTERED DESIGN**



# Roberto

## Their first steps

Roberto first steps encourages young children's balance and support early walking attempts. For children from 10 to 24+ months of age.

Designed by Italtrike to encourage safe and stable walking, thanks to its innovative balancing and friction system.

Available in light blue, red and yellow. One click and Roberto is ready to go!

## Roberto SET Mix 3pcs

Mod. 4020ROB990009

Packaging size \* (41 x 34 x 41 cm) x 3 pcs  
(16.1 x 13.4 x 16.1 in) x 3 pcs

Shipping weight 10.8 kg/ 23.8 lbs



\*Delivered in Italtrike Bravo Box, plastic-free package

## Lightweight and stackable

You can stack one on top of the other, perfect for home and schools



## Crash-proof plastic

To avoid scratches on walls, its rounded shapes do not damages furniture or doors



## Rubber-coated wheels

Adapt to any surface without leaving marks (even wooden floors), quiet

## Awarded Design

Design for Kids issued by ADI Index 2020

## Broad handlebar support

To improve balance



## Italtrike "Safety First" safety system

Two rear wheel levers prevent tipping over. Two brakes control wheels' rolling speed. Grow-as-you-go system supports children's learning

## Italtrike Roberto first step

● 4020ROB996642  
8010077402005

● 4020ROB996834  
8010077402029

● 4020ROB996775  
8010077402012

Product size 42 x 34 x 41 cm  
16.5 x 13.4 x 16.2 in

Handlebar height 42 cm/ 16.5 in

Packaging size \* 21 x 41 x 37 cm  
8.3 x 16.2 x 14.6 in

Shipping weight 3.6 kg/ 7.9 lbs

Max loading weight 3 kg/ 6.6 lbs  
Suggested age FROM 10 TO 36 MONTHS

\*Delivered in Italtrike Bravo Box, plastic-free package



## Ginetta SET Mix 3pcs

Mod. 4000GIN990009

Packaging size \* (33 x 54 x 26.5 cm) x 3 pcs  
(13 x 21.3 x 10.4 in) x 3 pcs

Shipping weight 12.3 kg/ 27.1 lbs

\*Delivered in Italtrike Bravo Box, plastic-free package



# Ginetta

### Their first vehicle

Ginetta is a sturdy and fun **ride-on** for children from **1 to 6 years old** who can ride freely in total safety.

Children experience many **different balance levels** and develop new **motors skills**.

Suitable both for indoor and outdoor use.

Available in three colors: **light blue, red and yellow**.

Just a click and Ginetta is ready to go!



### Awarded Design

Design for Kids issued by ADI Index 2019  
"Compasso d'Oro" selection 2020

### Broad handlebar support

To improve balance and ensure correct posture



### Lightweight and stackable

You can stack one on top of the other, perfect for home and schools

### Italtrike "Safety First" safety system

Patented fingertip protection to prevent finger crushing

### Small compartment under the seat

To store toys and other treasures



Italtrike

### Rubber-coated wheels

Adapt to any surface without leaving marks (even wooden floors), quiet

### Front wheels turn 360°

To easily move in any direction and even in very small places

### Crash-proof shapes

To avoid scratches on walls, its rounded shapes do not damage furniture or doors

### Italtrike Ginetta ride-on

● 4000GIN996642  
8010077400025

● 4000GIN996834  
8010077400018

● 4000GIN996775  
8010077400001

Product size	33 x 54 x 26.5 cm 12.9 x 21.6 x 10.4 in
Seat height	21.5 cm/ 8.5 in
Packaging size *	57 x 28.5 x 25 cm 22.4 x 11.2 x 10 in
Shipping weight	4.1 kg/ 9 lbs
Max user weight	50 kg/ 110 lbs
Suggested age	FROM 1 TO 6 YEARS

\*Delivered in Italtrike Bravo Box, plastic-free package



# Italo

## Their first cart

Italo is a **small cart** with a curvy design that slides safely on every surface, both indoor and outdoor. It **helps navigating spaces, distances, movements, and coordinate children while walking.**

For children from 2 to 6 years old.

Available in three colors: **light blue**, **red** and **yellow**

**Just a click and Italo is ready to go!**

### Italo SET 2 pcs

● 4030ITA996609 ● 4030ITA996809 ● 4030ITA996709

Packaging size \* (50 x 54 x 37 cm) x 2 pcs  
(19.7 x 21.3 x 14.6 in) x 2 pcs

Shipping weight 11.2 kg/ 24.7 lbs



### Lightweight and stackable

You can stack one on top of the other, perfect for home and schools



### Large loading compartment

To carry toys, books and other treasures



### Crash-proof shapes

To avoid scratches on walls, its rounded shapes do not damage furniture or doors



### Italtrike "Safety First" safety system

Patented fingertip protection to prevent finger crushing



### Broad handlebar support

To improve balance and ensure correct posture

### Rubber-coated wheels

Adapt to any surface without leaving marks (even wooden floors), quiet

### Front wheels turn 360°

To easily move in any direction and even in very small places

### Italtrike Italo cart

● 4030ITA996642  
8010077403002

● 4030ITA996834  
8010077403026

● 4030ITA996775  
8010077403019

Product size 50 x 54 x 37 cm  
19.7 x 21.2 x 14.6 in

Handlebar height 50 cm/ 19.7 in

Packaging size \* 57 x 35 x 40 cm  
22.4 x 13.7 x 15.7 in

Shipping weight 5.7 kg/ 12.6 lbs

Max loading weight 3 kg/ 6.6 lbs  
Suggested age FROM 2 TO 6 YEARS

\*Delivered in Italtrike Bravo Box, plastic-free package



# Dino

## Their first scooter

Dino is the scooter for children aged 2 to 6 years. Perfect for **motor development** and learning new play experiences.

The **innovative steering system** allows children to make winding turns by **intuitively shifting their body weight** slightly to the right or left.

Available in three colors: **light blue, red and yellow.**

One click and Dino is ready to go!



### Italtrike Dino SET 2pcs

● 4040DIN996609 ● 4040DIN996809 ● 4040DIN996709

Packaging size \* 62 x 57 x 32 cm  
24.4 x 22.4 x 12.6 in

Shipping weight 6 kg/ 13.2 lbs



### Lightweight and stackable

You can stack one on top of the other, perfect for home and schools



### Awarded Design

Design for Kids issued by ADI Index 2022

### Wide footrest

For greater safety and body stability



### Italtrike "Safety First" safety system

Patented fingertip protection to prevent finger crushing on both breaking and steering axles

### Italtrike Dino Scooter

● 4040DIN996642  
8010077404016

● 4040DIN996834  
8010077404030

● 4040DIN996775  
8010077404023

Product size 62 x 57 x 32 cm  
24.4 x 22.4 x 12.6 in

Handlebar height 62 cm/ 24.4 in

Packaging size \* 60 x 50 x 27 cm  
23.6 x 19.7 x 10.6 in

Shipping weight 3 kg/ 6.6 lbs

Max user weight 20 kg/ 44 lbs  
Suggested age FROM 2 TO 4 YEARS

\*Delivered in Italtrike Bravo Box, plastic-free package



### Broad handlebar support

To improve balance



### Rubber-coated wheels

Adapt to any surface without leaving marks (even wooden floors), quiet



### Special steering system

Flexibly bends by simply shifting body weight



Italtrike

Made in Italy





# Valentino

## Their first bike

Valentino is a **balance bike** from children from 4 to 6 years old. Handy and compact, it **helps little ones to develop balance and motor skills**. Available in three colors: **light blue, red and yellow**.

### Italtrike Valentino SET Mix 3pcs & RACK

1 parking rack  
3 Valentino bikes (red+yellow+light blue)  
4050VAL990008

Packaging size \* 79 x 45 x 51 cm  
31.1 x 20 x 17.7 in  
Shipping weight 14.5 kg / 32 lbs

\*Delivered in Italtrike Bravo Box, plastic-free package



### Lightweight and compact

Takes very little space, easy to carry

### Parking rack

For neat storage after use (sold separately)

### Awarded Design

Design for Kids issued by ADI Index 2024  
"Compasso d'Oro" selection in 2026

### Crash-proof plastic rounded shapes

To avoid scratches on walls, its rounded shapes do not damage furniture or doors

### EVA-coated solid wheels

Effectively grips any surface without leaving marks, puncture proof, ultra quiet



### Broad handlebar support

To improve balance and ensure correct posture

### Italtrike "Safety First" safety system

Front wheel steering limit for safer ride control

### Smooth spinning

Ball bearings on each wheels, easy to ride

Italtrike

### Italtrike Valentino balance bike

● 4050VAL996642  
8010077405037

● 4050VAL996834  
8010077405020

● 4050VAL996775  
8010077405013

Product size	53 x 79 x 32 cm 20.8 x 31 x 12.6 in
Seat height	32.5 cm / 12.8 in
Packaging size *	78 x 21 x 41 cm 30.8 x 8.3 x 16 in
Shipping weight	4.5 kg / 9.9 lbs
Max user weight	25 kg / 55 lbs
Suggested age	FROM 2 TO 4 YEARS

\*Delivered in Italtrike Bravo Box, plastic-free package



# Board

## Their first rollerboard

Italtrike board is a rollerboard with 4 large 360° swivel wheels. Designed for children from 2 to 8 years old who want to have fun playing and driving anywhere in total safety. Board enhances balance in multiple positions: from lying down on the stomach, or sitting down pushing with hands rather with the stick, just like rowing.

Available in three colors: **light blue, red and yellow**



### Board SET Mix 3pcs & paddles

**3 Board (red+yellow+light blue)**

**3 Paddles**

4010BOA990008

Packaging size \*

75 x 46 x 31.5 cm  
29.5 x 18 x 12.5 in

Shipping weight

13.4 kg/ 29.5 lbs

\*Delivered in Italtrike Bravo Box, plastic-free package



### Board SET Mix 3pcs

**3 Board (red+yellow+light blue)**

4010BOA990009

Packaging size \*

(10 x 62 x 41 cm) x 3 pcs  
(4 x 24.4 x 16.1 in) x 3 pcs

Shipping weight

15.3 kg/ 33.7 lbs

\*Delivered in Italtrike Bravo Box, plastic-free package



## Lightweight and stackable

You can stack one on top of the other, perfect for home and schools



## Equipped with 4 support handles

Can be used on both sides



## Crash-proof plastic rounded shapes

To avoid scratches on walls, its rounded shapes do not damage furniture or doors

## Rubber-coated wheels

Adapt to any surface without leaving marks (even wooden floors), quiet



## 4 wheels turn 360°

To easily move in any direction and ensure maximum agility

## Italtrike "Safety First" safety system

Patented fingertip protection to prevent finger crushing



Paddle (sold separately)



## Italtrike Board rollerboard

● 4010BOA996642  
8010077401039

● 4010BOA996834  
8010077401022

● 4010BOA996775  
8010077401015

Product size

10 x 62 x 41 cm  
3.9 x 24.4 x 16 in

Seat height

10 cm/ 3.9 in

Packaging size \*

13 x 66 x 43 cm  
5 x 26 x 17 in

Shipping weight

5.1 kg/ 11.2 lbs

Max user weight  
Suggested age

50 kg/ 110 lbs  
FROM 2 TO 8 YEARS

\*Delivered in Italtrike Bravo Box, plastic-free package



\*paddle 4015PAD993302 8010077401510

Product size

4 x 4 x 82 cm  
1.6 x 1.6 x 32.2 in

Packaging size \*

10 x 10 x 80 cm  
3.9 x 3.9 x 31.5 in



Italtrike



# Espresso

**Italtrike Espresso is a 6-seat buggy** suitable for schools, playgrounds and other facilities. Italtrike Espresso has been designed to provide the ultimate **safety and comfort** to passengers and the driver. Available in **Classico** (push) or in **Elettrico version** and in **4 colors**. Responsibly **made in Italy**.

## Large handlebars with soft grips

Ensures easy, intuitive and comfortable handling.



## Robust structure

To provide a safe environment for kids while travelling, built to last



## Child-friendly design

Kids can interact and learn how to behave inside the cabin of a vehicle



**Easy to maneuver** Front wheels rotate 360

## Comfortable travel

To allow safe supervision and carriage of children



## Service

100% designed and made in Italy, assistance and spare parts available



## Soft, solid & puncture-proof wheels

For smooth use on every type of road



**FIRST CLASS TRAVEL**  
for both children & the driver



## Safe

\*Compliant with international safety regulations

**Italtrike "Safety-First"**  
The Espresso buggy is equipped for maximum child safety

**5 points safety belts (for USA)**

**3 points safety belts (for EU)**



**Solid cabin structure**  
**Impact safe**



**The access door can only be opened from the outside**

**REGISTERED DESIGN**

  
Machinery Directive 2006/42/EC  
Pushchairs and Prams Standard EN 1888  
Directive 2009/48/EC / EN 71 1:2011 07 / EN 71 2:2011 / EN 71 3:2013  
EMC Directive 2004/108/EC  
Standard EN 60601 (Medical Electrical Equipment)  
Electrical Standards CEI 69 1 | EN 60204 | EN 1175  
REACH Regulation 1907/2006  
RoHS Directive 2011/65/EC  
Childcare Articles Standard DIN 13387  
Playground Equipment Standard EN 1176

## Italtrike Espresso Classico (push)



- Push
- Great Reliability
- Lockable Compartment
- Disc Brakes
- Available in 4 colors

Product size	119 x 198 x 77 cm 46.85 x 77.95 x 30.3 in
Handlebar height	119 cm/ 46.8 in
Product weight	81 kg/ 178.4 lbs
Packaging size *	205 x 80 x 120 cm 80.7 x 31.5 x 47.24 in
Shipping weight	120 kg/ 264.5 lbs
Max loading weight	100 kg (15 kg each seat+10kg)/ 220 lbs
Suggested age	FROM 1 TO 6 YEARS

\*Delivered in Italtrike Bravo Box, plastic-free package



### Color options

- Cappuccino 9611ESP991541 ● Red 9615ESP991502
- Green 9609ESP991533 ● Yellow 9613ESP991521



## Italtrike Espresso Elettrico (powered)



- Electric Motor
- Easy & Comfortable Driving
- Up to 3h Autonomy
- Up to 5% Inclination
- Available in 4 colors

Product size	119 x 198 x 77 cm 46.85 x 77.95 x 30.3 in
Handlebar height	119 cm/ 46.8 in
Product weight	120 kg/ 264.5 lbs
Packaging size *	205 x 80 x 120 cm 80.7 x 31.5 x 47.24 in
Shipping weight	156 kg/ 344 lbs
Max loading weight	100 kg (15 kg each seat+10kg)/ 220 lbs
Suggested age	FROM 1 TO 6 YEARS

\*Delivered in Italtrike Bravo Box, plastic-free package



### Color Options

- Cappuccino 9610ESP991541 ● Red 9614ESP991502A8
- Green 9608ESP991533 ● Yellow 9612ESP991521A9



- Emergency Stop Button
- Battery Charge Indicator
- Rechargeable Battery Housing
- Ignition Key



- Speed Control Knob
- Reverse Button
- Clacson alert for safety and signal



## Italtrike Espresso Classico (push) GT



The Espresso Classico **GT** line includes:

- 6 Soft Seats
- Original Italtrike Stickers
- Roof Rollbar
- Sun Canopy

Product size	119 x 198 x 77 cm 46.85 x 77.95 x 30.3 in
Product weight	81 kg/ 178.4 lbs
Packaging size *	205 x 80 x 120 cm 80.7 x 31.5 x 47.24 in
Shipping weight	120 kg/ 264.5 lbs

\*Delivered in Italtrike Bravo Box, plastic-free package

### Color options

- Cappuccino 9602ESP991541A7 ● Red 9607ESP991502
- Green 9601ESP991533 ● Yellow 9605ESP991521

## Italtrike Espresso Elettrico (powered) GT



The Espresso Classico **GT** line includes:

- 6 Soft Seats
- Original Italtrike Stickers
- Roof Rollbar
- Sun Canopy

Product size	119 x 198 x 77 cm 46.85 x 77.95 x 30.3 in
Product weight	120 kg/ 264.5 lbs
Packaging size *	205 x 80 x 120 cm 80.7 x 31.5 x 47.24 in
Shipping weight	158 kg/ 348.3 lbs

\*Delivered in Italtrike Bravo Box, plastic-free package

### Color options

- Cappuccino 9603ESP991541A7 ● Red 9606ESP991502A7
- Green 9600ESP991533A6 ● Yellow 9604ESP991521A6

## Italtrike Espresso Sole (powered)

- Electric Motor
- Rooftop Solar Panels
- Easy & Comfortable Driving
- Up to 3h Autonomy
- Available in 4 colors



Product size	119 x 198 x 77 cm 46.85 x 77.95 x 30.3 in
Handlebar height	119 cm/ 46.8 in
Product weight	120 kg/ 264.5 lbs
Packaging size *	205 x 80 x 120 cm 80.7 x 31.5 x 47.24 in
Shipping weight	160 kg/ 353 lbs
Max loading weight	100 kg (15 kg each seat+10kg)/ 220 lbs
Suggested age	FROM 1 TO 6 YEARS

\*Delivered in Italtrike Bravo Box, plastic-free package



### Color options

- Cappuccino 9617ESP991541A7
- Red 9619ESP991502A7
- Green 9616ESP991533A7
- Yellow 9618ESP991521A7

## Italtrike espresso accessories ( available separately )

### Roof Roll-bar

9650ESP991515  
Included in the GT versions



### Soft Seats Green

Set (6 pcs): 511432  
Included in the GT versions



### Sun Canopy

9652ESP991515  
Included in the GT versions



### Wind & Rain Cover

9651ESP991515



### Soft Seats Red

Red Set (6pcs): 511442  
Included in the GT versions



### Garage Cover

9653ESP991500 (now in black)



The Espresso Sole includes:

- 6 Soft Seats
- Original Italtrike Stickers
- Roof Rollbar
- Rooftop Solar panels



### Original Italtrike Sticker Set

1791A  
Included in the GT versions

### Customized Sticker Set

1796SP ( single print )  
Available on request - providing printing file

## Italtrike Espresso

Innovation, safety, and quality — the perfect choice for early childhood centers and facilities.



STICKER CAN BE CUSTOMIZED WITH LOGO & GRAPHICS



**eolo+** is an **innovative new tricycle design** based on circular economy principles **for a better future**. **Produced locally** for lower environmental impact, all the Eolo+ components come from an area **less than 75km from Italtrike headquarters**, eliminating the most impactful industrial process. Eolo+, **a sustainable approach in tricycle design**. Made in Italy.



**+ Sustainable**  
Circular economy compliant and low production impact

**+ Built to last**  
High quality materials, durable structure

**+ Design**  
Innovative materials, fresh and joyful colors

**+ Responsibility**  
Produced locally for lower environmental impact

### What goes into eolo+?

A different approach in design + reduced environmental and social impact at each stage of the lifecycle.  
**A design that's built to last**

#### Long life for play

Adjustable heights to follow a child's growth for years of **safe and solid playtime**

#### End of life

**Easy to disassemble and dispose of**, eolo+ is recyclable at 92% of its weight

#### Transport

Minimized packaging nad optimized transport space = **lower carbon footprint**

#### Low impact materials

High quality, **durable materials**, green body parts made from **at least 30% recycled polymers**. Metal parts made from **stainless steel**

#### Packaging

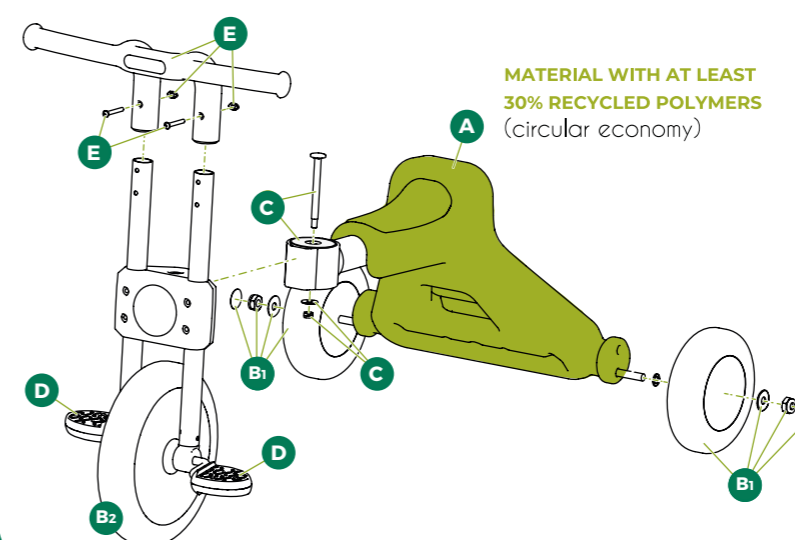
100% paper fiber box, 100% paper tape, 100% plastic free, **compact & recyclable**

#### Low production impact

No welding process, no bended tubes, no paint processes, **less impactful production steps** = lower energy and material waste



### Spare parts & Components information for correct recycling



SPARE PARTS		RECYCLING
A	frame	520056
B1	rear wheel	23138944
B2	front wheel	23644489
C	steering kit	2457
D	pedals	233244
E	handlebars kit	3591
	tubular	
	accessories for assembly	
	packaging	



### eolo+ Tricycle Small

Mod. 3502EOL

Product size	75 x 62.5 x 56.5 cm 29.5 x 24.4 x 22.24 in
Max loading weight	35 kg/ 77 lbs
Seat Height	35.5 cm/ 13.98 in
Packaging size *	71 x 48.5 x 37.5 cm 27.95 x 19 x 14.7 in
Shipping weight	9.8 kg/ 21.56 lbs
Suggested age	FROM 2 TO 3 YEARS

\*Delivered in Italtrike Bravo Box, plastic-free package



### eolo+ Balance Bike Small

Mod. 3508EOL

Product size	67 x 62.5 x 46.5 cm 26.38 x 24.6 x 18.3 in
Max loading weight	20 kg/ 44 lbs
Seat Height	36.5 cm/ 14.37 in
Packaging size *	71 x 19 x 44 cm 27.95 x 7.5 x 17.32 in
Shipping weight	7 kg/ 15.4 lbs
Suggested age	FROM 2 TO 3 YEARS

\*Delivered in Italtrike Bravo Box, plastic-free package



### eolo+ Tricycle Medium

Mod. 3503EOL

Product size	82 x 67.5 x 56.5 cm 32.3 x 26.6 x 22.24 in
Max loading weight	35 kg/ 77 lbs
Seat Height	38 cm/ 14.96 in
Packaging size *	71 x 48.5 x 39.5 cm 27.95 x 19 x 15.55 in
Shipping weight	9.8 kg/ 21.56 lbs
Suggested age	FROM 3 TO 5 YEARS

\*Delivered in Italtrike Bravo Box, plastic-free package



### eolo+ Balance Bike Medium

Mod. 3509EOL

Product size	76.5 x 64.5 x 46.5 cm 30.12 x 25.4 x 18.3 in
Max loading weight	20 kg/ 44 lbs
Seat Height	38 cm/ 14.96 in
Packaging size *	71 x 19 x 46 cm 27.95 x 7.5 x 18.11 in
Shipping weight	7.5 kg/ 16.5 lbs
Suggested age	FROM 3 TO 5 YEARS

\*Delivered in Italtrike Bravo Box, plastic-free package



### eolo+ Tricycle Large

Mod. 3504EOL

Product size	84 x 69 x 56.5 cm 33.07 x 27.17 x 22.24 in
Max loading weight	35 kg/ 77 lbs
Seat Height	40 cm/ 15.75 in
Packaging size *	71 x 48.5 x 39.5 cm 27.95 x 19 x 15.55 in
Shipping weight	10.4 kg/ 22.88 lbs
Suggested age	FROM 4 TO 6 YEARS

\*Delivered in Italtrike Bravo Box, plastic-free package



### eolo+ Balance Bike Large

Mod. 3511EOL

Product size	78 x 68.5 x 46.5 cm 30.71 x 26.97 x 18.3 in
Max loading weight	20 kg/ 44 lbs
Seat Height	40 cm/ 15.75 in
Packaging size *	71 x 19 x 46 cm 27.95 x 7.5 x 18.11 in
Shipping weight	7.8 kg/ 17.16 lbs
Suggested age	FROM 4 TO 7 YEARS

\*Delivered in Italtrike Bravo Box, plastic-free package





**eolo+ Bike**  
Mod. 3512EOL

Product size	78 x 68 x 46.5 cm 30.71 x 26.97 x 18.31 in
Max loading weight	20 kg/ 44 lbs
Seat Height	40 cm/ 15.75 in
Packaging size *	76.5 x 31 x 36.5 cm 30.11 x 12.20 x 14.37 in
Shipping weight	8.5 kg/ 18.7 lbs
Suggested age	FROM 4 TO 7 YEARS

\*Delivered in Italtrike Bravo Box, plastic-free package



**minieolo+ Roberto**  
Mod. 4020ROB995658

Product size	42 x 34 x 41 cm 16.5 x 13.4 x 16.14 in
Max loading weight	2 kg/ 4.4 lbs
Handlebar Height	42 cm/ 16.5 in
Packaging size *	21 x 41 x 37 cm 8.26 x 16.14 x 14.56 in
Shipping weight	3.6 kg/ 7.9 lbs
Suggested age	FROM 10 TO 36 MONTHS

\*Delivered in Italtrike Bravo Box, plastic-free package



**eolo+ 2-Seat Tricycle**  
Mod. 3506EOL

Product size	115 x 68.5 x 56.5 cm 45.28 x 27 x 22.24 in
Max loading weight	35 kg/ 77 lbs
Seat Height	41.5 - 38 cm/ 16.34 - 14.96 in
Packaging size *	96.5 x 48.5 x 48.5 cm 38 x 19.09 x 19.09 in
Shipping weight	14.6 kg/ 32.12 lbs
Suggested age	FROM 4 TO 7 YEARS

\*Delivered in Italtrike Bravo Box, plastic-free package



**minieolo+ Ginetta**  
Mod. 4000GIN995658

Product size	33 x 54 x 26.5 cm 13 x 21.25 x 10.4 in
Max loading weight	50 kg/ 110 lbs
Seat Height	21.5 cm/ 8.46 in
Packaging size *	57 x 28.5 x 25 cm 22.4 x 11.22 x 9.84 in
Shipping weight	4.1 kg/ 9.03 lbs
Suggested age	FROM 1 TO 6 YEARS

\*Delivered in Italtrike Bravo Box, plastic-free package



**Compatible with Village Parking Rack**  
9414VIL990032



Light & stackable  
Large handlebar support  
Rubber coated wheels  
Crash-proof plastic  
Italtrike Safety First



# Pilot line

The Pilot line offers a wide range of vehicles for daycares, nurseries, schools, and community use, made for **children from ages 1 to 6**. It guarantees high **stability and safety** to help children develop their **motor and social skills and boost independence**. These sturdy, durable vehicles are **built to last to ensure years of play and heavy use**.



## What is the Pilot line made from?

- High-end finishes and details
- Sturdy structure built to last
- High quality materials
- Safe design with no pinch points
- Joyful colors

## Each model is available with Active handlebar too

Active oval handlebar



Pilot 100 is available with Active oval handlebar

## Pilot 100 Ride-on

Mod. 100-01  
Mod. 100-01 OHB (Active oval handlebar)

Product size	55 x 71 x 45 cm 21.6 x 27.9 x 17.7 in
Max loading weight	20 kg/ 44 lbs
Seat Height	27 cm/ 10.6 in
Packaging size *	68 x 50 x 35 cm 26.7 x 19.7 x 13.8 in
Shipping weight	8.1 kg/ 17.82 lbs
Suggested age	FROM 1 TO 2 YEARS

\*Delivered in Italtrike Bravo Box, plastic-free package



## Pilot 100 Tricycle

Mod. 100-02  
Mod. 100-02 OHB (Active oval handlebar)

Product size	55 x 71 x 45 cm 21.6 x 27.9 x 17.7 in
Max loading weight	20 kg/ 44 lbs
Seat Height	27 cm/ 10.6 in
Packaging size *	68 x 50 x 35 cm 26.7 x 19.7 x 13.8 in
Shipping weight	8.5 kg/ 17.74 lbs
Suggested age	FROM 1 TO 2 YEARS

\*Delivered in Italtrike Bravo Box, plastic-free package



## Pilot 100 2-Seat Ride-on

Mod. 100-03  
Mod. 100-03 OHB (Active oval handlebar)

Product size	55 x 102 x 45 cm 21.6 x 40.15 x 17.7 in
Max loading weight	20 kg/ 44 lbs
Seat Height	28-26 cm/ 11-10.2 in
Packaging size *	92 x 46 x 34 cm 36.22 x 18.1 x 13.38 in
Shipping weight	9.8 kg/ 21.56 lbs
Suggested age	FROM 1 TO 2 YEARS

\*Delivered in Italtrike Bravo Box, plastic-free package



## Pilot 100 Scooter

Mod. 100-04  
Mod. 100-04 OHB (Active oval handlebar)

Product size	70 x 88 x 41 cm 27.5 x 34.6 x 16.14 in
Max loading weight	20 kg/ 44 lbs
Seat Height	(none)
Packaging size *	80 x 46 x 34 cm 31.5 x 18.1 x 13.38 in
Shipping weight	8.6 kg/ 18.92 lbs
Suggested age	FROM 1 TO 2 YEARS

\*Delivered in Italtrike Bravo Box, plastic-free package



## Italtrike Pilot 100

Italtrike Pilot 100 is a range of toys on wheels **specifically made for toddlers from 1 to 2 years old**. Pilot 100 has been designed to guarantee the ultimate in stability and safety for little ones learning to ride.



## Italtrike Pilot 200

Italtrike Pilot 200 is a range of toy vehicles for children from 2 to 4 years old. At this age, kids are more confident about their capabilities and are ready to develop more autonomy. With the same stability and safety, Pilot 200 offers a whole new range of vehicles to improve coordination, independence and motor skills.



Pilot 200 is available with Active oval handlebar

### Pilot 200 Tricycle

Mod. 200-07  
Mod. 200-07 OHB (Active oval handlebar)

Product size	59 x 73 x 58 cm 23.22 x 28.7 x 22.8 in
Max loading weight	35 kg/ 77 lbs
Seat Height	35 cm/ 13.7 in
Packaging size *	75 x 39 x 59 cm 29.5 x 15.3 x 23.22 in
Shipping weight	11.8 kg/ 26 lbs
Suggested age	FROM 2 TO 4 YEARS

\*Delivered in Italtrike Bravo Box, plastic-free package



### Pilot 200 2-Seat Tricycle

Mod. 200-10  
Mod. 200-10 OHB (Active oval handlebar)

Product size	61.5 x 108 x 57 cm 24.2 x 42.5 x 22.4 in
Max loading weight	35 kg/ 77 lbs
Seat Height	37 cm/ 14.6 in
Packaging size *	106 x 60 x 44 cm 41.7 x 23.6 x 17.3 in
Shipping weight	16.25 kg/ 35.75 lbs
Suggested age	FROM 2 TO 4 YEARS

\*Delivered in Italtrike Bravo Box, plastic-free package



### Pilot 200 Scooter

Mod. 200-11  
Mod. 200-11 OHB (Active oval handlebar)

Product size	71 x 90 x 40 cm 27.9 x 35.4 x 15.7 in
Max loading weight	20 kg/ 44 lbs
Seat Height	(none)
Packaging size *	92 x 42 x 28 cm 36.22 x 16.5 x 11 in
Shipping weight	8.5 kg/ 18.7 lbs
Suggested age	FROM 2 TO 4 YEARS

\*Delivered in Italtrike Bravo Box, plastic-free package



### Pilot 200 Balance Bike

Mod. 200-20  
Mod. 200-20 OHB (Active oval handlebar)

Product size	60 x 79 x 40 cm 23.6 x 31.1 x 15.7 in
Max loading weight	20 kg/ 44 lbs
Seat Height	37 cm/ 14.6 in
Packaging size *	68 x 35 x 50 cm 26.7 x 13.7 x 19.7 in
Shipping weight	10.3 kg/ 22.96 lbs
Suggested age	FROM 2 TO 4 YEARS

\*Delivered in Italtrike Bravo Box, plastic-free package



## Italtrike Pilot 300

Italtrike Pilot 300 is a range of toy vehicles for children from 4 to 6 years old. With more skills and confidence they can handle smart vehicles to ride and enjoy with friends. Thus developing the ability to play together and share new experiences.



Pilot 200 is available with Active oval handlebar

### Pilot 300 Bike

Mod. 300-17  
Mod. 300-17 OHB (Active oval handlebar)

Product size	90 x 69 x 40 cm 35.4 x 27.2 x 15.7 in
Max loading weight	20 kg/ 44 lbs
Seat Height	38 cm/ 14.96 in
Packaging size *	92 x 28 x 40 cm 36.2 x 11 x 15.7 in
Shipping weight	11.5 kg/ 25.30 lbs
Suggested age	FROM 4 TO 6 YEARS

\*Delivered in Italtrike Bravo Box, plastic-free package



### Pilot 300 Tricycle

Mod. 300-14  
Mod. 300-14 OHB (Active oval handlebar)

Product size	69 x 82 x 57 cm 27.2 x 32.3 x 22.4 in
Max loading weight	35 kg/ 77 lbs
Seat Height	40 cm/ 15.74 in
Packaging size *	92 x 28 x 40 cm 36.2 x 11 x 15.7 in
Shipping weight	13.3 kg/ 29.15 lbs
Suggested age	FROM 4 TO 6 YEARS

\*Delivered in Italtrike Bravo Box, plastic-free package



### Pilot 300 2-seat Tricycle

Mod. 300-15  
Mod. 300-15 OHB (Active oval handlebar)

Product size	69 x 117 x 56 cm 27.1 x 46 x 22 in
Max loading weight	35 kg/ 77 lbs
Seat Height	40 cm/ 15.7 in
Packaging size *	102 x 58 x 43 cm 40.1 x 22.8 x 17 in
Shipping weight	16.5 kg/ 36.4 lbs
Suggested age	FROM 4 TO 6 YEARS

\*Delivered in Italtrike Bravo Box, plastic-free package



### Pilot 300 Scooter

Mod. 300-18  
Mod. 300-18 OHB (Active oval handlebar)

Product size	82 x 69 cm 32.3 x 27.2 in
Max loading weight	50 kg/ 110 lbs
Seat Height	(none)
Packaging size *	92 x 28 x 40 cm 36.2 x 11 x 15.7 in
Shipping weight	9.6 kg/ 21.14 lbs
Suggested age	FROM 4 TO 6 YEARS

\*Delivered in Italtrike Bravo Box, plastic-free package



### Pilot 300 Truck

● 300-19SB ● 300-19FT ● 300-19PO  
● 300-19OHBSB ● 300-19OHBT ● 300-19OHBP

Product size	114 x 69 x 56 cm 44.88 x 27.2 x 22 in
Max loading weight	35 kg/ 77 lbs
Seat Height	39 cm/ 15.35 in
Packaging size *	106 x 60 x 44 cm 41.73 x 23.6 x 17.32 in
Shipping weight	14 kg/ 30.80 lbs
Suggested age	FROM 4 TO 6 YEARS

\*Delivered in Italtrike Bravo Box, plastic-free package



### Pilot 300 Truck 1+1

● 300-19TAXI 1+1 ● 300-19FT 1+1  
● 300-19OHBTAXI 1+1 ● 300-19OHBT 1+1

Product size	72 x 114 x 63 cm 28.3 x 44.9 x 24.8 in
Max loading weight	35 kg/ 77 lbs
Seat Height	39 cm/ 15.3 in
Packaging size *	108 x 58 x 49 cm 42.5 x 22.8 x 19.3 in
Shipping weight	20.6 kg/ 45.4 lbs
Suggested age	FROM 4 TO 6 YEARS

\*Delivered in Italtrike Bravo Box, plastic-free package



\*rooftop now in black



# Red Line

Italtrike has developed its **value-priced commercial tricycles Red Line** to meet children and teachers needs. These tricycles are made of **top quality painted steel, injection molded wheels, and have a special design that prevents from possible pinch points.** Italtrike will provide your children with years of riding adventures. Made in Italy.

**Comfortable**  
Soft seat

**Safe**  
Steering limits  
No pinch points and reduced risk of tipping

**Solid**  
Heavy steel pipe, frame and fork

**No slip pedals**

**Service**  
Spare parts always available  
Manufactured in Italy  
5 years warranty for frames and forks

**Durable**  
No rust bearings  
Hub and solid steel axle



## Red Line Speedy Mod. 9001

Product size	60.5 x 69 x 49 cm 23.81 x 27.17 x 19.29 in
Max loading weight	35 kg/ 77 lbs
Seat Height	32 cm/ 12.6 in
Packaging size *	62 x 40 x 51 cm 24.41 x 15.75 x 20.08 in
Shipping weight	9,6 kg/ 21.16 lbs
Suggested age	FROM 3 TO 6 YEARS



\*Delivered in Italtrike Bravo Box, plastic-free package



## Red Line Speedy XXL Mod. 9001XXL

Product size	74 x 79 x 57 cm 29.1 x 31.1 x 22.4 in
Max loading weight	35 kg/ 77 lbs
Seat Height	42 cm/ 16.5 in
Packaging size *	100 x 45 x 59 cm 39.4 x 17.7 x 23.2 in
Shipping weight	10,2 kg/ 22.5 lbs
Suggested age	FROM 4 TO 8 YEARS



\*Delivered in Italtrike Bravo Box, plastic-free package



## Red Line Tricycle with chain Mod. 9056

Product size	68 x 85 x 48 cm 26.77 x 33.46 x 18.89 in
Max loading weight	25 kg/ 55.12 lbs
Seat Height	39-46 cm/ 15.35-18.11 in
Packaging size *	67 x 53 x 40 cm 26.38 x 20.87 x 15.75 in
Shipping weight	11.8 kg/ 26.01 lbs
Suggested age	FROM 2 TO 5 YEARS



\*Delivered in Italtrike Bravo Box, plastic-free package





### Red Line Carry Mod. 9002

Product size 60.5 x 92 x 49 cm  
23.81 x 36.22 x 19.29 in

Max loading weight 35 kg/ 77 lbs

Seat Height 36.5-39.5 cm/ 14.57-15.75 in

Packaging size \* 80 x 45 x 50 cm  
31.5 x 17.72 x 19.7 in

Shipping weight 13 kg/ 28.7 lbs

Suggested age FROM 3 TO 6 YEARS

\*Delivered in Italtrike Bravo Box,  
plastic-free package



### Red Line Scooter Mod. 9004

Product size 66.5 x 97 cm  
24.02 x 38.19 in

Max loading weight 20 kg/ 44 lbs

Seat Height (none)

Packaging size \* 83 x 20 x 45 cm  
32.7 x 7.87 x 17.7 in

Shipping weight 6.6 kg/ 14.55 lbs

Suggested age FROM 3 TO 6 YEARS

\*Delivered in Italtrike Bravo Box,  
plastic-free package



### Red Line Scooter 3 Wheels L Mod. 9053

Product size 70 x 93 x 61 cm  
28 x 37 x 24 in

Max loading weight 20 kg/ 44 lbs

Seat Height (none)

Packaging size \* 83 x 20 x 45 cm  
32.7 x 7.87 x 17.7 in

Shipping weight 8.9 kg/ 19.62 lbs

Suggested age FROM 3 TO 6 YEARS

\*Delivered in Italtrike Bravo Box,  
plastic-free package



### Red Line Scooter 3 Wheels S Mod. 9061

Product size 55 x 68 x 44 cm  
21.6 x 26.8 x 17.3 in

Max loading weight 35 kg/ 77 lbs

Seat Height (none)

Packaging size \* 83 x 20 x 45 cm  
32.7 x 7.87 x 17.7 in

Shipping weight 6.9 kg/ 15.2 lbs

Suggested age FROM 1 TO 2 YEARS

\*Delivered in Italtrike Bravo Box,  
plastic-free package



### Red Line Triply Mod. 9060

Product size 67 x 98 x 92 cm  
26.38 x 35.58 x 36.22 in

Max loading weight 35 kg/ 77 lbs

Seat Height 49 cm/ 19.29 in

Packaging size \* 93 x 53 x 71 cm  
36.6 x 20.8 x 28 in

Shipping weight 13 kg/ 28.7 lbs

Suggested age FROM 3 TO 6 YEARS

\*Delivered in Italtrike Bravo Box,  
plastic-free package



### Red Line Quickly Mod. 9003

Product size 60.5 x 92 x 49 cm  
23.81 x 36.22 x 19.29 in

Max loading weight 35 kg/ 77 lbs

Seat Height 37 cm/ 14.57 in

Packaging size \* 80 x 45 x 50 cm  
31.5 x 17.72 x 19.7 in

Shipping weight 13 kg/ 28.66 lbs

Suggested age FROM 3 TO 6 YEARS

\*Delivered in Italtrike Bravo Box,  
plastic-free package



# Mini Red

**Mini Red** is the entry line of walkers, tricycles and scooters **dedicated to toddlers**. Ergonomic handlebar for **easy and safe riding**. A child's very first tricycle and scooter which help turn first children's movements into real play activities. Compliant with CE and ASTM standards, 5 years warranty on frame and fork, **manufactured in Italy**.

Exclusive plastic totally round shape handlebar

Steel frame and fork with polyester paint finish

Hubs and solid steel axle



Steering limit

Solid rubber tires

No rust bearing on rear and front wheels



Steering limit



Adjustable saddle



Ergonomic handlebar



## Mini Walk 4 Wheels

Mod. 9508

Product size	57 x 28 x 51 cm 22.4 x 20 x 11 in
Max loading weight	20 kg/ 44 lbs
Seat Height	25 cm/ 9.8 in
Packaging size *	57 x 51 x 25 cm 22.44 x 20.08 x 7.87 in
Shipping weight	6.8 kg/ 14.9 lbs
Suggested age	FROM 1 TO 3 YEARS



\*Delivered in Italtrike Bravo Box, plastic-free package



## Mini Walker 3 Wheels

Mod. 9501

Product size	64.5 x 59 x 50.5 cm 25.4 x 23.22 x 19.88 in
Max loading weight	20 kg/ 44 lbs
Seat Height	31 cm/ 12.2 in
Packaging size *	58 x 52 x 26 cm 22.83 x 20.47 x 10.23 in
Shipping weight	6.4 kg/ 14 lbs
Suggested age	FROM 1 TO 3 YEARS



\*Delivered in Italtrike Bravo Box, plastic-free package



## Mini Be Walker

Mod. 9502

Product size	57 x 87 x 44 cm 22.44 x 33.77 x 17.08 in
Max loading weight	20 kg/ 44 lbs
Seat Height	25-29 cm/ 11.25-17.08 in
Packaging size *	92 x 46 x 34 cm 36.22 x 18.11 x 13.38 in
Shipping weight	6.1 kg/ 13.42 lbs
Suggested age	FROM 1 TO 3 YEARS



\*Delivered in Italtrike Bravo Box, plastic-free package



## Mini Tricycle

Mod. 9503

Product size	60 x 65 x 44 cm 23.29 x 25.23 x 17.08 in
Max loading weight	20 kg/ 44 lbs
Seat Height	30 cm/ 11.64 in
Packaging size *	58 x 52 x 26 cm 22.83 x 20.47 x 10.23 in
Shipping weight	6.1 kg/ 13.42 lbs
Suggested age	FROM 1 TO 3 YEARS



\*Delivered in Italtrike Bravo Box, plastic-free package





### Mini Walk Bike

Mod. 9507

Product size	58 x 73 cm 22.83 x 28.74 in
Max loading weight	20 kg/ 44 lbs
Seat Height	33 cm/ 13 in
Packaging size *	61 x 46 x 23 cm 24.01 x 18.11 x 9.05 in
Shipping weight	6 kg/ 13.2 lbs
Suggested age	FROM 1 TO 3 YEARS

\*Delivered in Italtrike Bravo Box, plastic-free package



### Mini Scooter Long Base

Mod. 9506

Product size	71 x 85 x 30 cm 27.56 x 33 x 11.64 in
Max loading weight	20 kg/ 44 lbs
Seat Height	(none)
Packaging size *	75 x 51 x 37 cm 29.52 x 20.07 x 14.56 in
Shipping weight	6.5 kg/ 14.3 lbs
Suggested age	FROM 1 TO 3 YEARS

\*Delivered in Italtrike Bravo Box, plastic-free package



### Mini Scooter X

Mod. 9505

Product size	67 x 61 x 44 cm 26 x 23.68 x 17.08 in
Max loading weight	20 kg/ 44 lbs
Seat Height	(none)
Packaging size *	66 x 47.5 x 29.5 cm 25.98 x 18.7 x 11.61 in
Shipping weight	6.1 kg/ 13.42 lbs
Suggested age	FROM 1 TO 3 YEARS

\*Delivered in Italtrike Bravo Box, plastic-free package



**Italtrike Classic** is the iconic line of tricycles that will create the best memories of their childhood. This high-end line of tricycles is **designed to last** with chrome plated handlebars, and wheel in puncture-proof sturdy material. Perfect for **learning to ride independently** and having fun in complete safety. Available in **4 colors** across **5 models**. Responsibly **made in Italy**.

*Classic  
line*

#### Which is the best for your child?

	SUPER LUCY	PASSENGER	TRANSPORTER	TOURING	SPOKE 16"
PUNCTURE PROOF-WHEELS	●	●	●	●	●
ADJUSTABLE SEAT	●	●	●	●	●
ADJUSTABLE HANDLE	●	●	●	●	●
NON-SLIP RUBBER GRIPS	●	●	●	●	●
REAR FOOTBOARD	●	●	●	●	●
NON-SLIP PEDALS	●	●	●	●	●
STEEL HANDLEBAR	●	●	●	●	●
PUSHBAR (can be removed if not needed)	●	●	●	●	●
LATERAL BRAKE	●	●	●	●	●
FRONT BASKET	●	●	●	●	●
REAR BASKET	●	●	●	●	●
MUDGUARD	●	●	●	●	●



#### Rear footboard for passengers

Only on models: Superlucy 7111, Super Touring 1011 and Spokes 16" 8218





### Classic Transporter

● 1021TRA996046 ● 1021TRA996182  
● 1021TRA990302 ● 1021TRA992680

Product size 56 x 67 x 45 cm  
22 x 26.4 x 17.7 in  
Max loading weight 25 kg/ 55 lbs  
Seat Height 33 cm/ 13 in  
Packaging size \* 55 x 38 x 20 cm  
21.6 x 14.9 x 20.9 in  
Shipping weight 5.8 kg/ 12.7 lbs  
Suggested age FROM 2 TO 5 YEARS

\*Delivered in Italtrike Bravo Box,  
plastic-free package



### Classic Spoke 16"

● 8218CLA996046 ● 8218CLA996182  
● 8218CLA990302 ● 8218CLA992680

Product size 75 x 87 x 52 cm  
29.5 x 34.2 x 20.5 in  
Max loading weight 25 kg/ 55 lbs  
Seat Height 47 cm/ 18.5 in  
Packaging size \* 65 x 47 x 31 cm  
25.6 x 18.5 x 12.2 in  
Shipping weight 9.2 kg/ 20.3 lbs  
Suggested age FROM 2 TO 5 YEARS

\*Delivered in Italtrike Bravo Box,  
plastic-free package



### Classic Super Lucy

● 7111CLA996046 ● 7111CLA996182  
● 7111CLA990302 ● 7111CLA992680

Product size 56 x 67 x 52 cm  
22 x 26.3 x 20.5 in  
Max loading weight 25 kg/ 55 lbs  
Seat Height 37 cm/ 14.5 in  
Packaging size \* 55 x 38 x 20 cm  
21.6 x 14.9 x 20.9 in  
Shipping weight ??? kg/ 17.74 lbs  
Suggested age FROM 2 TO 5 YEARS

\*Delivered in Italtrike Bravo Box,  
plastic-free package



### Classic Touring

● 1011CLA996046 ● 1011CLA996182  
● 1011CLA990302 ● 1011CLA992680

Product size 58 x 68 x 52 cm  
22.8 x 26.7 x 20.5 in  
Max loading weight 25 kg/ 55 lbs  
Seat Height 33 cm/ 13 in  
Packaging size \* 55 x 38 x 20 cm  
21.6 x 14.9 x 20.9 in  
Shipping weight 5.5 kg/ 12.12 lbs  
Suggested age FROM 2 TO 5 YEARS

\*Delivered in Italtrike Bravo Box,  
plastic-free package



### Classic Passenger

● 1041CLA996046 ● 1041CLA996182  
● 1041CLA990302 ● 1041CLA992680

Product size 56 x 67 x 45 cm  
22 x 26.4 x 17.7 in  
Max loading weight 25 kg/ 55 lbs  
Seat Height 33 cm/ 13 in  
Packaging size \* 55 x 38 x 20 cm  
21.6 x 14.9 x 20.09 in  
Shipping weight 6.8 kg/ 15 lbs  
Suggested age FROM 1 TO 2 YEARS

\*Delivered in Italtrike Bravo Box,  
plastic-free package



# PRO line

The Italtrike PRO line is the perfect solution for schools, daycares, nurseries and playgrounds. The PRO line's safe and durable products are available in multiple sizes to ensure proper use for each child.

**All products meet the latest safety standards in the U.S.A. and Europe.** PRO products are packed with just 2 parts to ensure easy and fast assembly. Made in Italy



Rear footboard



Safety bar



Steering limit

PRO line vehicles are available in **red** and **atlantic blue**



## PRO Ride-on

- Mod. 9027ATL
- Mod. 9027XXS

Product size	51.5 x 65.5 x 44 cm 20.27 x 25.78 x 17.3 in
Max loading weight	35 kg/ 77 lbs
Seat Height	28 cm/ 11.02 in
Packaging size *	51 x 57 x 27 cm 20 x 22.5 x 10.6 in
Shipping weight	6.3 kg/ 13.88 lbs
Suggested age	FROM 1 TO 2 YEARS



\*Delivered in Italtrike Bravo Box, plastic-free package



## PRO Tricycle Extra Small

- Mod. 9028ATL
- Mod. 9028XPS

Product size	55 x 68 x 44 cm 21.65 x 26.77 x 17.32 in
Max loading weight	35 kg/ 77 lbs
Seat Height	30 cm /11.8 in
Packaging size *	64 x 54 x 32 cm 25.2 x 21.3 x 12.6 in
Shipping weight	7.1 kg/ 15.65 lbs
Suggested age	FROM 1 TO 2 YEARS



\*Delivered in Italtrike Bravo Box, plastic-free package



## PRO Tricycle Touring

- Mod. 1010ATL

Product size	58 x 68 x 52 cm 22.83 x 26.77 x 20.47 in
Max loading weight	25 kg/ 55 lbs
Seat Height	33 cm/ 12.9 in
Packaging size *	58 x 52 x 26 cm 22.8 x 20.5 x 10.2 in
Shipping weight	5.6 kg/ 12.34 lbs
Suggested age	FROM 1 TO 5 YEARS



\*Delivered in Italtrike Bravo Box, plastic-free package



## PRO Tricycle Small 10"

- Mod. 9022ATL
- Mod. 9022SMA

Product size	59 x 74 x 51 cm 29.13 x 23.2 x 20 in
Max loading weight	35 kg/ 77 lbs
Seat Height	31.5 cm /12.4 in
Packaging size *	54 x 64 x 32 cm 21.7 x 25.2 x 12.6 in
Shipping weight	7.9 kg/ 17.41 lbs
Suggested age	FROM 2 TO 3 YEARS



\*Delivered in Italtrike Bravo Box, plastic-free package





### PRO Tricycle Medium 12"

- Mod. 9023ATL
- Mod. 9023MED

Product size	66.5 x 90 x 56.5 cm 35.4 x 26.1 x 22.24 in
Max loading weight	35 kg/ 77 lbs
Seat Height	36 cm/ 14.17 in
Packaging size *	76 x 58 x 31 cm 29.9 x 22.8 x 12.2 in
Shipping weight	10 kg/ 22 lbs
Suggested age	FROM 3 TO 5 YEARS

\*Delivered in Italtrike Bravo Box, plastic-free package



### PRO Walk Bike

- Mod. 9017ATL
- Mod. 9017WAB

Product size	60.5 x 88 x 42 cm 34.6 x 23.8 x 16.53 in
Max loading weight	20 kg/ 50 lbs
Seat Height	38.5 cm /15.35 in
Packaging size *	66 x 48 x 30 cm 26 x 18.9 x 11.8 in
Shipping weight	7.5 kg/ 16.5 lbs
Suggested age	FROM 3 TO 4 YEARS

\*Delivered in Italtrike Bravo Box, plastic-free package



### PRO Tricycle Large 14"

- Mod. 9024ATL
- Mod. 9024LAR

Product size	75 x 90 x 56.5 cm 34.4 x 29.5 x 22.24 in
Max loading weight	35 kg/ 77 lbs
Seat Height	41.5 cm /16.34 in
Packaging size *	58 x 80 x 34 cm 22.8 x 31.5 x 13.4 in
Shipping weight	10.8 kg/ 23.8 lbs
Suggested age	FROM 4 TO 6 YEARS

\*Delivered in Italtrike Bravo Box, plastic-free package



### PRO Truck 1+1 Seat

- Mod. 9032 1+1 TAXI
- Mod. 9032 1+1 FIRE TRUCK

Product size	69 x 112 x 50 cm 27.16 x 44.48 x 19.68 in
Max loading weight	35 kg/ 77 lbs
Seat Height	34 cm/ 13.38 in
Packaging size *	60 x 103.5 x 45 cm 23.62 x 40.74 x 17.71 in
Shipping weight	14.6 kg/ 32.20 lbs
Suggested age	FROM 3 TO 6 YEARS

\*Delivered in Italtrike Bravo Box, plastic-free package



### PRO Carry

- Mod. 9020ATL
- Mod. 9020CAR

Product size	61 x 92 x 49 cm 36.2 x 24 x 19.3 in
Max loading weight	35 kg/ 77 lbs
Seat Height	39.5-38.5 cm/ 15.55-15.15 in
Packaging size *	100 x 59 x 44 cm 39.37 x 23.2 x 17.3 in
Shipping weight	12.6 kg/ 27.72 lbs
Suggested age	FROM 3 TO 6 YEARS

\*Delivered in Italtrike Bravo Box, plastic-free package



### PRO Chopper

- Mod. 9041ATL
- Mod. 9041CHO

Product size	56.5 x 85 x 56.5 cm 33.4 x 22.24 x 22.24 in
Max loading weight	35 kg/ 77 lbs
Seat Height	15.5 cm/ 6.1 in
Packaging size *	57 x 67 x 36 cm 22.4 x 26.38 x 14.17 in
Shipping weight	9.1 kg/ 20 lbs
Suggested age	FROM 3 TO 6 YEARS

\*Delivered in Italtrike Bravo Box, plastic-free package





### PRO Scooter

● Mod. 9004ATL

Product size	65 x 97 cm 24 x 38.19 in
Max loading weight	20 kg/ 44 lbs
Seat Height	(none)
Packaging size *	82 x 20 x 44 cm 32.28 x 87 x 17.32 in
Shipping weight	6.6 kg/ 14.55 lbs
Suggested age	FROM 2 TO 5 YEARS

\*Delivered in Italtrike Bravo Box, plastic-free package



### PRO Scooter Medium

● Mod. 9021ROT

Product size	72 x 104 cm 28.34 x 40.95 in
Max loading weight	20 kg/ 44 lbs
Seat Height	(none)
Packaging size *	82 x 20 x 44 cm 32.28 x 7.87 x 17.32 in
Shipping weight	7.8 kg/ 15.40 lbs
Suggested age	FROM 4 TO 8 YEARS

\*Delivered in Italtrike Bravo Box, plastic-free package



### PRO 3-Wheel Scooter

● Mod. 9053ATL

Product size	70 x 93 x 61 cm 27.5 x 36.6 x 24 in
Max loading weight	35 kg/ 77 lbs
Seat Height	(none)
Packaging size *	60 x 65 x 30 cm 23.6 x 25.6 x 11.8 in
Shipping weight	8.9 kg/ 19.6 lbs
Suggested age	FROM 3 TO 6 YEARS

\*Delivered in Italtrike Bravo Box, plastic-free package



### PRO Mini Bike

● Mod. 9018BIC

Product size	88 x 60.5 x 42 cm 34.6 x 23.8 x 16.53 in
Max loading weight	20 kg/ 44 lbs
Seat Height	38.5 cm/ 15.35 in
Packaging size *	47 x 29 x 66 cm 18.50 x 11.42 x 25.98 in
Shipping weight	7.9 kg/ 14.42 lbs
Suggested age	FROM 3 TO 6 YEARS

\*Delivered in Italtrike Bravo Box, plastic-free package



### PRO Bike

● Mod. 9015ATL

● Mod. 9015BIC

Product size	94 x 72 x 42 cm 37 x 28.3 x 16.53 in
Max loading weight	20 kg/ 44 lbs
Seat Height	47 cm/ 18.50 in
Packaging size *	92 x 29 x 38 cm 36.22 x 11.42 x 14.96 in
Shipping weight	8.5 kg/ 18.74 lbs
Suggested age	FROM 4 TO 8 YEARS

\*Delivered in Italtrike Bravo Box, plastic-free package



### PRO Mini Walk Bike 3 Wheels

● Mod. 9054WAB

Product size	80 x 53 x 43 cm 31.4 x 20.8 x 16.9 in
Max loading weight	35 kg/ 77 lbs
Seat Height	29 cm /11.42 in
Packaging size *	57 x 51 x 28 cm 22.4 x 20 x 11 in
Shipping weight	7.1 kg/ 15.65 lbs
Suggested age	FROM 1 TO 3 YEARS

\*Delivered in Italtrike Bravo Box, plastic-free package





## PRO Bike 3 Wheels

● Mod. 9055BIC

Product size	95 x 72 x 46 cm 37.4 x 28.3 x 18.1 in
Max loading weight	35 kg/ 77 lbs
Seat Height	43 cm/ 16.93 in
Packaging size *	92 x 41 x 28 cm 36.2 x 16.14 x 11 in
Shipping weight	8.3 kg/ 18.30 lbs
Suggested age	FROM 3 TO 6 YEARS

\*Delivered in Italtrike Bravo Box, plastic-free package



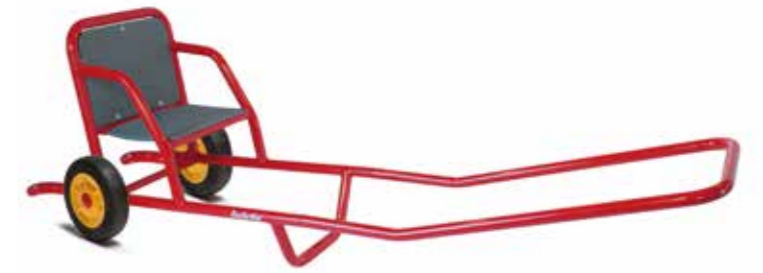
## PRO Rishow

● Mod. 9030ATL

● Mod. 9030PRO

Product size	54 x 155 x 65 cm 21.25 x 61.05 x 25.39 in
Max loading weight	20 kg/ 50 lbs
Seat Height	28.5 cm/ 11.22 in
Packaging size *	60 x 84 x 58 cm 23.6 x 33 x 22.8 in
Shipping weight	11 kg/ 24.20 lbs
Suggested age	FROM 3 TO 6 YEARS

\*Delivered in Italtrike Bravo Box, plastic-free package



9031BFT

## PRO Biga

Product size	96 x 112 x 50 cm 27.16 x 44.48 x 19.68 in
Max loading weight	35 kg/ 77 lbs
Seat Height	34 cm/ 13.38 in
Packaging size *	60 x 103.5 x 45 cm 23.62 x 40.74 x 17.71 in
Shipping weight	14.6 kg/ 32.2 lbs
Suggested age	FROM 3 TO 6 YEARS

\*Delivered in Italtrike Bravo Box, plastic-free package



9031BPO



9031BTX



9031BAM



# Big Wheels

Italtrike **Big Wheels** line is a wide range of vehicles for small expert riders who want to have fun and test themselves with **new challenges** and driving experiences, such as **pedaling with the hands**, more dynamic and sporty vehicles and **large rubber wheels** to tackle the **off-road** routes.



## Big Carry

- Mod. 9010ATL
- Mod. 9010CAM

Product size	72.5 x 118 x 62 cm 28.54 x 46.46 x 24.41 in
Max loading weight	35 kg/ 77 lbs
Seat Height	49-50 cm/ 19.29-19.69 in
Packaging size *	46 x 101.5 x 62 cm 18.12 x 39.96 x 24.61 in
Shipping weight	16.2 kg/ 35.71 lbs
Suggested age	FROM 5 TO 9 YEARS



\*Delivered in Italtrike Bravo Box, plastic-free package



## Big Scooter PU

- Mod. 9007ATL & 9008ATL
- Mod. 9007MAB & 9008MAB

Product size	(9007) 71.5 x 104 cm (9008) 86.5 x 104 cm (9007) 28.15 x 40.95 in (9008) 34.05 x 40.95 in
Max loading weight	50 kg/ 110 lbs
Seat Height	(none)
Packaging size *	92 x 29 x 38 cm 36.22 x 11.42 x 14.96 in
Shipping weight	(9007) 8.5 kg/ 18.74 lbs (9008) 8.7 kg/ 19.18 lbs
Suggested age	FROM 5 TO 9 YEARS



\*Delivered in Italtrike Bravo Box, plastic-free package



Mod. 9007

Mod. 9008

## Big Scooter 3 Wheels PU

Mod. 9050 & 9051

Product size	(9050) 71.5 x 85 x 67 cm (9051) 86.5 x 85 x 67 cm (9050) 28.15 x 33.5 x 26.38 in (9051) 34.05x33.5x 26.38 in
Max loading weight	20 kg/ 44 lbs
Seat Height	(none)
Packaging size *	61.5 x 75 x 42 cm 24.21 x 29.53 x 16.54 in
Shipping weight	9.6 kg/ 21.12 lbs
Suggested age	FROM 2 TO 8 YEARS



\*Delivered in Italtrike Bravo Box, plastic-free package



Mod. 9050

Mod. 9051





**Big Swing**  
● Mod. 9005SWING

Product size 95 x 71.5 cm  
37.4 x 23.35 in

Max loading weight 35 kg/ 77 lbs

Seat Height (none)

Packaging size \* 77 x 28 x 94 cm  
30.32 x 11.02 x 37.01 in

Shipping weight 13 kg/ 28.66 lbs  
Suggested age FROM 5 TO 10 YEARS

\*Delivered in Italtrike Bravo Box,  
plastic-free package



**Big Rishow**  
● Mod. 9030RIK

Product size 54 x 155 x 65 cm  
21.25 x 61.05 x 25.39 in

Max loading weight 35 kg/ 77 lbs

Seat Height 28.5 cm/ 11.22 in

Packaging size \* 60 x 48 x 58 cm  
23.6 x 18.9 x 22.8 in

Shipping weight 11 kg/ 24.20 lbs  
Suggested age FROM 4 TO 8 YEARS

\*Delivered in Italtrike Bravo Box,  
plastic-free package



**Big Black Rider**  
● Mod. 9011BLR

Product size 114 x 61 cm  
44.88 x 24.02 in

Max loading weight 35 kg/ 77 lbs

Seat Height (none)

Packaging size \* 101 x 62 x 47 cm  
39.8 x 24.4 x 18.5 in

Shipping weight 14.2 kg/ 31.31 lbs  
Suggested age FROM 4 TO 7 YEARS

\*Delivered in Italtrike Bravo Box,  
plastic-free package



**Big Chopper**  
● Mod. 9014CHO

Product size 70 x 91 x 60 cm  
27.56 x 35.83 x 23.62 in

Max loading weight 35 kg/ 77 lbs

Seat Height 34 cm/ 13.39 in

Packaging size \* 62 x 53 x 71 cm  
24.41 x 20.87 x 27.95 in

Shipping weight 12.8 kg/ 28.22 lbs  
Suggested age FROM 3 TO 6 YEARS

\*Delivered in Italtrike Bravo Box,  
plastic-free package



**Big Chopper Country**  
● Mod. 9040ATL  
● Mod. 9040CHO

Product size 70 x 91 x 60 cm  
27.56 x 35.83 x 23.62 in

Max loading weight 35 kg/ 77 lbs

Seat Height 34 cm/ 13.39 in

Packaging size \* 62 x 53 x 71 cm  
24.41 x 20.87 x 27.95 in

Shipping weight 12.8 kg/ 28.22 lbs  
Suggested age FROM 3 TO 6 YEARS

\*Delivered in Italtrike Bravo Box,  
plastic-free package



# Alutrike

**Italtrike Alutrike is the a premium aluminium trike line specifically designed for schools.** Italtrike has introduced the intensive **knowledge and experience from the professional bike** manufacturing in this line of tricycles. **Lightness, strenght, rust free materials** made this product the best tricycle on the road! Made in Italy.



## Light

Compared to similar size steel tricycles, Alutrike is 30-35% lighter

## Does not rust

Alutrike products will be rust free forever, the perfect collection for areas by the sea.

## Strong

Italtrike has designed an exclusive aliminum extruded profile for the frames



## Alutrike Tricycle

Mod. 2001ALU

Product size	77.5 x 62.5 x 56.5 cm 24.8 x 30.7 x 22.24 in
Max loading weight	35 kg/ 77 lbs
Seat Height	39.5 cm/ 15.75 in
Packaging size *	68 x 40 x 59 cm 26.77 x 15.75 x 23.23 in
Shipping weight	9 kg/ 19.84 lbs
Suggested age	FROM 3 TO 6 YEARS



\*Delivered in Italtrike Bravo Box, plastic-free package

## Alutrike Tricycle 2-seat

Mod. 2002ALU

Product size	111 x 62.5 x 56.5 cm 43.7 x 24.8 x 22.5 in
Max loading weight	35 kg/ 77 lbs
Seat Height	39.5 cm/ 15.75 in
Packaging size *	96 x 55 x 59 cm 37.8 x 24.65 x 23.23 in
Shipping weight	11.8 kg/ 26 lbs
Suggested age	FROM 3 TO 6 YEARS



\*Delivered in Italtrike Bravo Box, plastic-free package

## Alutrike Balance Bike

Mod. 2005ASW

Product size	63 x 91 x 51 cm 24.8 x 35.83 x 20.08 in
Max loading weight	20 kg/ 44 lbs
Seat Height	40.5 cm/ 15.94 in
Packaging size *	80 x 45 x 40 cm 31.5 x 17.72 x 15.75 in
Shipping weight	6 kg/ 13.23 lbs
Suggested age	FROM 3 TO 6 YEARS



\*Delivered in Italtrike Bravo Box, plastic-free package

## Alutrike Scooter

Mod. 2003ASW

Product size	88 x 108 cm 34.65 x 42.52 in
Max loading weight	20 kg/ 44 lbs
Seat Height	(none)
Packaging size *	97 x 17 x 50 cm 37.8 x 6.7 x 19.69 in
Shipping weight	9.8 kg/ 21.61 lbs
Suggested age	FROM 4 TO 8 YEARS



\*Delivered in Italtrike Bravo Box, plastic-free package



# Pista

**Italtrike Pista** is the sporty and **dynamic balance bike** for children **from 2 to 6 years old**.

High-end finish and **lightweight** balance bike, inspired by the world of racing. Ideal for getting started on two wheels, from the first push with the feet to speed races with playmates. For both school and private use.

## Lightweight

Easy to carry and ride



## Ergonomic

Upholstered comfortable saddle shape

## Adjustable

Saddle height



## Puncture proof

No maintenance wheels



## No-slip grips

Made in rubber with side hand protection



## Footrest

Just under the seat



## Pista Balance Bike

● 3804MONZA ○ 3805IMOLA ● 3806MILLEMIGLIA

Product size	58 x 39 x 83 cm 22.83 x 15.35 x 32.68 in
Max loading weight	35 kg/ 77 lbs
Seat Height	35-43 cm/ 13.78-16.93 in
Packaging size *	72 x 43 x 20 cm 28.35 x 16.93 x 7.87 in
Shipping weight	2 kg/ 4.4 lbs
Suggested age	FROM 2 TO 6 YEARS

\*Delivered in Italtrike Bravo Box, plastic-free package



# Village

**Italtrike Village** is the ideal solution to **teach the fundamental rules of road safety** to children through creative play. Children can put into practice what they have learned in the classroom. Village equipment includes official road signs, traffic lights and a parking rack for neat storage of wheeled vehicles. Made in Italy.



### Fillable bases

All bases can be filled with water or sand to ensure stability



## Village SET 1

Mod. 9418VIL

**Set includes: 6 copies of official signs, 1 traffic light, 1 zebra rubber carpet, 1 DVD (with 54 didactic slides)**

Product size (sign)	126 x 19 x 25 cm 49.6 x 7.48 x 9.84 in
Packaging size (SET1)*	102 x 42 x 24 cm 40.15 x 16.53 x 9.44 in
Shipping weight (SET1)	8 kg/ 17.63 lbs
Suggested age	FROM 3 TO 14 YEARS

Stable base can be filled with water or sand



\*Delivered in Italtrike Bravo Box, plastic-free package



## Village SET 2

Mod. 9402VIL

**Set includes: 9 copies of official signs, 1 traffic light**

Product size (sign)	126 x 19 x 25 cm 49.6 x 7.48 x 9.84 in
Packaging size (SET2)*	102 x 42 x 34 cm 40.15 x 16.53 x 13.4 in
Shipping weight (SET2)	9.2 kg/ 20.3 lbs
Suggested age	FROM 3 TO 14 YEARS

Stable base can be filled with water or sand



\*Delivered in Italtrike Bravo Box, plastic-free package



## Village Traffic Lights

Mod. 9403VIL990009

**Set includes: 2 functional traffic lights which can be easily operated by turning the top part**

Product size (sign)	126 x 20 x 14 cm 49.6 x 7.9 x 5.5 in
Packaging size*	80 x 25 x 29 cm 31.5 x 9.8 x 11.4 in
Shipping weight	7 kg/ 15.4 lbs
Suggested age	FROM 3 TO 14 YEARS

Stable base can be filled with water or sand



\*Delivered in Italtrike Bravo Box, plastic-free package



Turn the top to switch the light

Also available in set of 4 traffic lights Mod. 9403VIL990000





### Zebra Crossing Carpet

Mod. 9404VIL  
Set includes: 3 carpets with stop and zebra crossing

Product size	200 x 75 cm 78.74 x 29.52 in
Packaging size*	85 x 15 x 15 cm 33.5 x 5.9 x 5.9 in
Shipping weight	3.5 kg/ 7.7 lbs
Suggested age	FROM 3 TO 14 YEARS

\*Delivered in Italtrike Bravo Box, plastic-free package



### Cones

Mod. 9416VIL  
Set includes: 24 cones

Product size	20 x 20 x 5 cm 7.87 x 7.87 x 1.97 in
Packaging size*	20 x 21 x 27 cm 7.87 x 8.27 x 10.36 in
Shipping weight	1 kg/ 2.2 lbs
Suggested age	FROM 3 TO 14 YEARS

\*Delivered in Italtrike Bravo Box, plastic-free package



### DVD Village

Mod. 1975  
My very first lesson of driving

Packaging size*	102 x 42 x 24 cm 40.15 x 16.53 x 9.44 in
Shipping weight (SET2)	9.2 kg/ 20.3 lbs
Suggested age	FROM 3 TO 14 YEARS

\*Delivered in Italtrike Bravo Box, plastic-free package



### Bus Shelter

Mod. 9405VIL

Product size	110 x 120 x 110 cm 43.3 x 47.24 x 43.3 in
Packaging size*	85 x 15 x 15 cm 33.5 x 5.9 x 5.9 in
Shipping weight	????? kg/ 20.3 lbs
Suggested age	FROM 3 TO 14 YEARS

Stable base can be filled with water or sand

\*Delivered in Italtrike Bravo Box, plastic-free package



### Village Parking Rack

Mod. 9414VIL  
Set includes: 2 parking racks for scooters, trikes and bikes with a parking sign

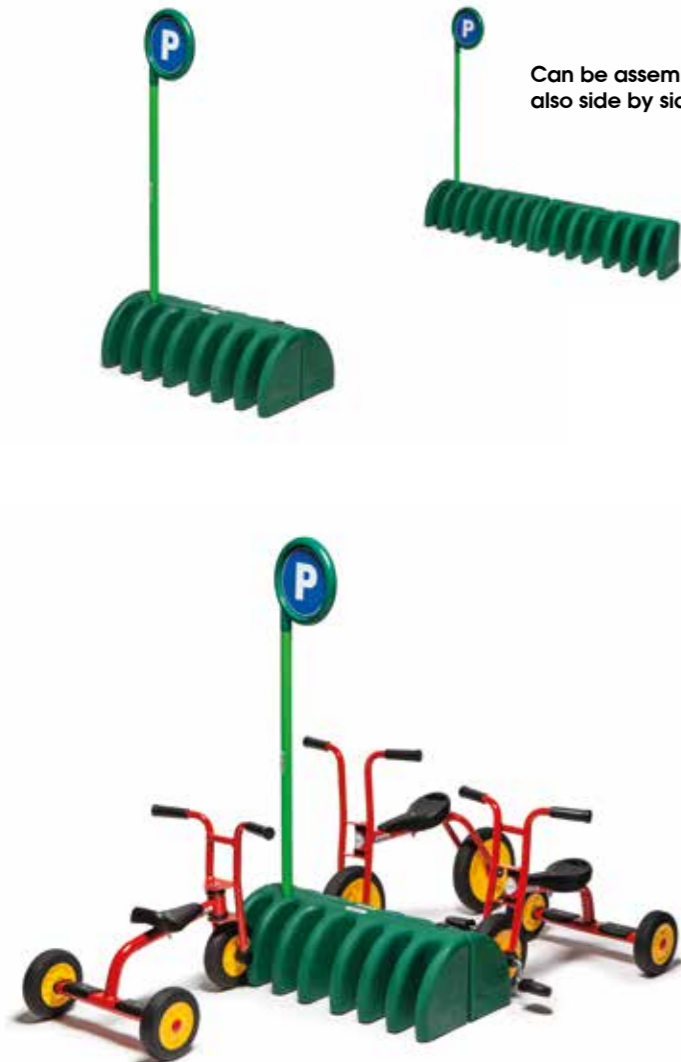
Product size (rack)	75 x 19 x 25 cm 29.53 x 7.48 x 9.84 in
Packaging size*	80 x 25 x 29 cm 31.5 x 9.8 x 11.4 in
Shipping weight	6.9 kg/ 15.21 lbs
Suggested age	FROM 3 TO 14 YEARS

Stable base can be filled with water or sand

\*Delivered in Italtrike Bravo Box, plastic-free package



Can be assembled also side by side



### Village Road safety activity set

Mod. 9400  
Set includes:  
1 metal wheeled stroller\*  
9 road signs  
1 functional traffic light  
1 bus stop shelter  
3 zebra rubber carpets  
24 cones  
1 DVD

Packaging size*	70 x 118 x 52 cm 27.55 x 46.45 x 20.47 in
Shipping weight	45 kg/ 99 lbs
Suggested age	FROM 3 TO 14 YEARS

Stable base can be filled with water or sand

\*Delivered in Italtrike Bravo Box, plastic-free package



\*Village metal stroller also available separately mod. 9406VIL



# Zero limits

**Italtrike Zero Wheels is a line of toys on wheels to guarantee every child the possibility to play and move.** We believe in **play therapy** and want to give all children the ability to enjoy playtime while riding a tricycle. For this reason we designed this **inclusive line**. Made in Italy.



SMALL MEDIUM LARGE

## Product description

Italtrike Pilot Zero is a the **tricycle equipped with an IV bag holder**. It has a sturdy steel pole with adjustable height IV bag holder and a **push handle** to support the child during the ride. Italtrike Pilot Zero has been designed to bring a smile, a playful moment or simply some distraction to kids and their caregivers during trying times. Available in three different sizes.

### Pilot Zero

● SMALL 9102HOS991400

Product size	139 x 105 x 45 cm 54.72 x 41.3 x 17.7 in
Max loading weight	20 kg/ 44 lbs
Seat Height	27.5 cm/ 10.8 in
Packaging size *	35 x 68 x 50 cm 13.8 x 26.8 x 19.7 in
Shipping weight	15.70 kg/ 34.61 lbs
Suggested age	FROM 1 TO 2 YEARS



\*Delivered in Italtrike Bravo Box, plastic-free package

### Pilot Zero

● MEDIUM 9207HOS990900

Product size	146 x 105 x 58 cm 57.5 x 41.3 x 22.8 in
Max loading weight	35 kg/ 77 lbs
Seat Height	35 cm/ 13.7 in
Packaging size *	38 x 75 x 58 cm 15 x 29.5 x 22.8 in
Shipping weight	17.9 kg/ 39.5 lbs
Suggested age	FROM 2 TO 4 YEARS



\*Delivered in Italtrike Bravo Box, plastic-free package

### Pilot Zero

● LARGE 9314HOS992100

Product size	148 x 105 x 58 cm 58.3 x 41.3 x 22.8 in
Max loading weight	35 kg/ 77 lbs
Seat Height	40 cm/ 15.7 in
Packaging size *	37 x 80 x 59 cm 14.6 x 31.5 x 23.2 in
Shipping weight	18.5 kg/ 40.8 lbs
Suggested age	FROM 4 TO 6 YEARS



\*Delivered in Italtrike Bravo Box, plastic-free package



## Zero Tricycle

Mod. 9800ZER

Product size	60-74 x 120 x 69 cm 23.9-29.13 x 47.2 x 27.1 in
Max loading weight	20 kg/ 44 lbs
Seat Height	66-78 cm/ 25.98-30.71 in
Packaging size *	52 x 92 x 69 cm 20.47 x 36.22 x 27.17 in
Shipping weight	25 kg/ 55 lbs
Suggested age	FROM 3 TO 6 YEARS



\*Delivered in Italtrike Bravo Box, plastic-free package

## Product description

Italtrike Zero is the tricycle that resets the differences to zero. This adaptive trike, with many different adjustment possibilities, allow kids to find the most comfortable position according to their needs. With the push handle, adults can easily accompany children or fully control the tricycle, giving kids the feeling of riding independently.



### Backrest pads with containment belt



### Wrist holder

Removable and washable



### Folding push handle

For a better fit of the adult's height and to optimize storage



### Folding handlebar

To fit the kid's need



### Folded size

114 x 64 x 66 cm  
44.88 x 25.2 x 25.9 in



### Multi-adjustable banana seat



### Foot rest with straps

Removable if not necessary



# Flurry

**Italtrike Flurry** is a **platform bike** encouraging children's learning and motor coordination through physical and playful activity. The **perfect device for exergaming**, Flurry uses the pedalling, the handlebar and a push button, as inputs to play with dedicated minigames on a specific app in a tablet provided with the bike.

## See it in action!

Just scan the QR code below



And ask us about the research project we funded with many universities in Italy.

## Tablet provided

To run our dedicated app and play a lot of minigames



## Explore new worlds

Through Italtrike Flurry, children can access to an interactive world designed to improve and exercise their cognitive abilities by combing them with physical-motor ones



## Just play!

Children can freely play without any credential: this way no game statistics neither any data will be recorded.



## Play and record!

During the game, statistical data are recorded to check the improvements of the kids: this way doctors can study a proper therapy for the children's needs.



## Horn button

Press it during the game to take decision or to play funny sounds

## Pediatric research

Flurry has been studied as tool for exergaming in many hospitals

## Wireless

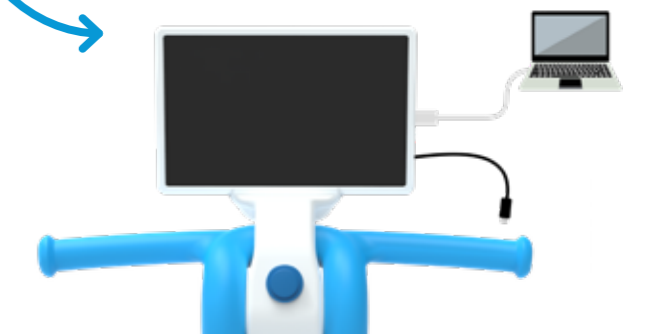
Flurry use the tablet battery as power supply, no plug is needed

## Available in two sizes

Accordng to the needs of the kids: SMALL and LARGE

## Stable platform base

With wheels to easy move the machine where you need it



# Gioca

**Italtrike Gioca** is a collection of **four-wheeled rollerskates that grow with children's feet**. Gioca skates have a sturdy plastic frame with an **extendable micrometric adjustment** to fit the foot growth. Two **soft quick-release upper straps** can easily wrap the sho. Designed to move freely **outdoors** and provide stability and balance, as well as safety with the **front brake**. Made in Italy.

### Sturdy frame

With micrometric extendable adjustment



### Smart

Compact, lightweight, easy to carry



### Quick release

Easy to lock, comfortable to wear



### Safe

Equipped with safety front brakes



### Bambi safety lock

To stop the rear wheels back rotation



### Ready to play

No assembling needed



## Gioca Bambi skates

● IGB100-B ● IGB100-G

Product size	24 to 34 EU size 7.5 to 3 US size
Max loading weight	20 kg/ 44 lbs
Seat Height	(none)
Packaging size *	50 x 23 x 16 cm 19.7 x 9 x 6.3 in
Shipping weight	2 kg/ 4.4 lbs
Suggested age	FROM 3 YEARS



\*Delivered in Italtrike Bravo Box, plastic-free package



**IGB100-G**  
8010077985027

**IGB100-B**  
8010077985010

## Gioca Mini Jet skates

● IGM215-B ● IGM215-G

Product size	24 to 36 EU size 7.5 to 4 US size
Max loading weight	20 kg/ 44 lbs
Seat Height	(none)
Packaging size *	50 x 23 x 16 cm 19.7 x 9 x 6.3 in
Shipping weight	2 kg/ 4.4 lbs
Suggested age	FROM 3 YEARS



\*Delivered in Italtrike Bravo Box, plastic-free package



**IGM215-B**  
8010077985164

**IGM215-G**  
8010077985171

## Gioca Jet skates

● IGJ215-RB ● IGJ215-G

Product size	34 to 44 EU size 3 to 11 US size
Max loading weight	20 kg/ 44 lbs
Seat Height	(none)
Packaging size *	50 x 23 x 16 cm 19.7 x 9 x 6.3 in
Shipping weight	2 kg/ 4.4 lbs
Suggested age	FROM 3 YEARS



\*Delivered in Italtrike Bravo Box, plastic-free package



**IGJ215-RB**  
8010077985133

**IGJ215-B**  
8010077985119



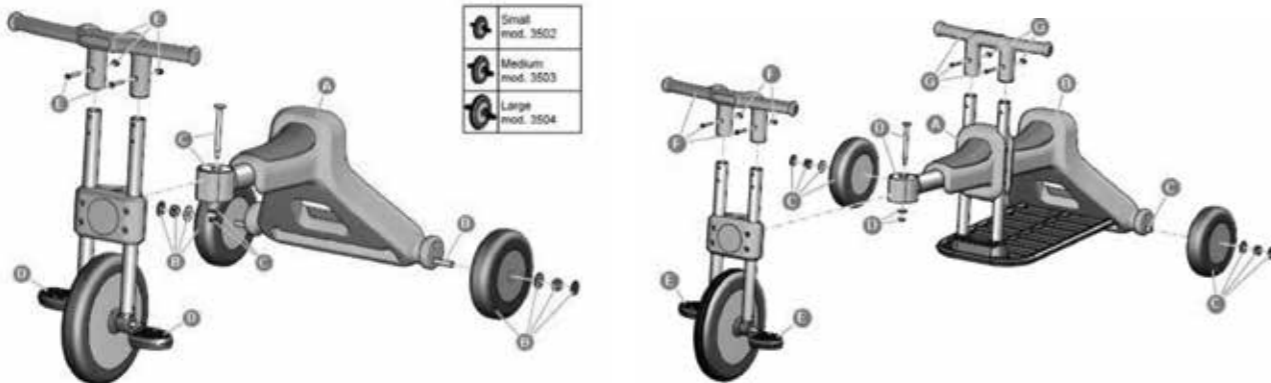
### Italtrike Bravo Box

Delivered in 100% paper fiber that's 100% recyclable



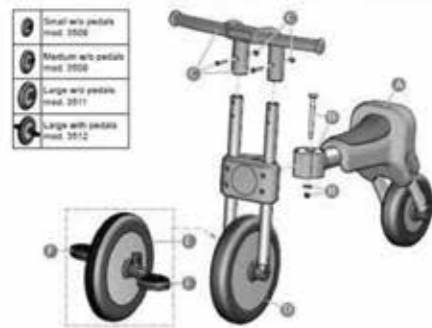
**Italtrike** eolo+ (pg 36-41)

Model	Front wheel	Rear wheels	Front wheel fittings	Rear wheel fittings	Steering bolt	Steering restrictor	Steering cover	Pedal	Rear axle	Saddle	Platform	Frame cup
Model 100	23650015	23620015	2467	2472	2468	166400	2470	-	204299	132400	-	167000
Model 100-02	23650015	23620015	-	2472	2468	166400	2470	2332	204299	132400	-	167000
Model 100-03	23650015	23620015	2467	2472	2468	166400	2470	-	204299	132400	-	167000
Model 100-04	23650015	23620015	2467	2474	2468	166400	2470	-	204399	-	167200	168300
Model 200-07	23380015	23620015	-	2475	2468	166400	2470	2332	204799	2471	-	167000
Model 200-10	23380015	23620015	-	2475	2468	166400	2470	2332	204799	2471	166100	167000
Model 200-11	23410015	23430015	2467	2466	2468	166400	2470	-	200099	-	167200	168300
Model 200-20	23410015	23410015	2467	2467	2468	166400	2470	-	-	132400	-	167000
Model 300-14	23390015	23620015	-	2475	2468	166400	2470	2332	204799	2471	-	167000
Model 300-15	23390015	23620015	-	2475	2468	166400	2470	2332	204799	2471	166100	167000
Model 300-17	23390015	23420015	-	2467	2468	166400	2470	2332	-	132400	-	167000
Model 300-18	23420015	23430015	2467	2466	2468	166400	2470	-	200099	2471	167200	168300
Model 300-19	23390015	23620015	-	2475	2468	166400	2470	2332	204799	2471	166100	167000
Model 300-19 1+1	23390015	23620015	-	2475	2468	166400	2470	2332	204799	2471	166100	167000
Model 300-21	23420015	23130015	2467	5039	2468	166400	2470	-	351599	-	261800 261900	168300

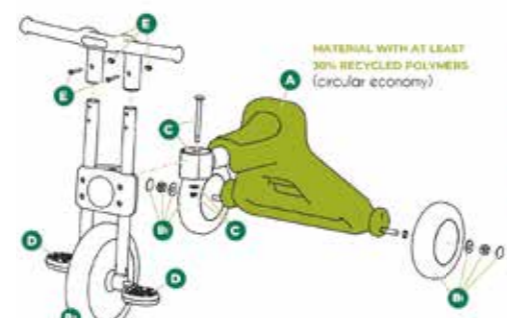


Component	Code	N.
A Telaio / Frame / Cadre / Rahmen	520092	1
B Kit ruote "taglia S" mod. 3502 / Kit of wheels "size S" mod. 3502 / Kit de roues « taille S », mod. 3502 / Räderatz „Größe S“, Mod. 3502	3599	1
B Kit ruote "taglia M" mod. 3503 / Kit of wheels "size M" mod. 3503 / Kit de roues « taille M », mod. 3503 / Räderatz „Größe M“, Mod. 3503	3598	1
B Kit ruote "taglia L" mod. 3504 / Kit of wheels "size L" mod. 3504 / Kit de roues « taille L », mod. 3504 / Räderatz „Größe L“, Mod. 3504	3597	1
C Kit vite sterzo / Steering pin kit / Kit de vis de direction / Lenkerschraubensatz	2457	1
D Pedali / Pedals / Pédales / Pedale	2332	2
E Kit manubrio / Handlebars kit / Kit de guidon / Lenkersatz	3591	1

Component	Code	N.
A Telaio anteriore / Front frame / Cadre avant / vordere Rahmen	520192	1
B Telaio posteriore / Rear frame / Cadre arriere / hinterer Rahmen	520092	1
C Kit ruote / Kit of wheels / Kit de roues / Räderatz	3597	1
D Kit vite sterzo / Steering pin kit / Kit de vis de direction / Lenkerschraubensatz	2457	1
E Pedali / Pedals / Pédales / Pedale	2332	2
F Kit manubrio anteriore / Front handlebars kit / Kit de guidon avant / vordere Lenkersatz	3591	1
G Kit manubrio posteriore / Rear handlebars kit / Kit de guidon arriere / hinterer Lenkersatz	3590	1



eolo+ spare parts and components information for a correct recycling



**MATERIAL WITH AT LEAST 30% RECYCLED POLYMERS (circular economy)**

**SPARE PARTS RECYCLING**

Component	Code	Recycling
A frame	520092	
B rear wheel	23380015	♻️
C front wheel	23644409	♻️
D steering kit	2457	
E pedals	233244	
F handlebars kit	3591	
tubular		♻️
accessories for assembly		♻️
packaging		♻️

Component	Code	N.
A Telaio / Frame / Cadre / Rahmen	520092	1
B Kit vite sterzo / Steering pin kit / Kit de vis de direction / Lenkerschraubensatz	2457	1
C Kit manubrio / Handlebars kit / Kit de guidon / Lenkersatz	3591	1
D Kit ruote senza pedali "taglia S" mod. 3508 / Kit of wheels without pedals "size S" mod. 3508 / Kit de roues sans pédales « taille S », mod. 3508 / Räderatz ohne Pedalen „Größe S“, Mod. 3508	3596	1
D Kit ruote senza pedali "taglia M" mod. 3509 / Kit of wheels without pedals "size M" mod. 3509 / Kit de roues sans pédales « taille M », mod. 3509 / Räderatz ohne Pedalen „Größe M“, Mod. 3509	3595	1
D Kit ruote senza pedali "taglia L" mod. 3511 / Kit of wheels without pedals "size L" mod. 3511 / Kit de roues sans pédales « taille L », mod. 3511 / Räderatz ohne Pedalen „Größe L“, Mod. 3511	3594	1
E Kit ruote con pedali "taglia L" mod. 3512 / Kit of wheels with pedals "size L" mod. 3512 / Kit de roues avec pédales « taille L », mod. 3512 / Räderatz mit Pedalen „Größe L“, Mod. 3512	3597	1
F Pedali / Pedals / Pédales / Pedale	2332	2

**Italtrike** Pilot (pg 42-47)



Model	Front wheel	Rear wheels	Front wheel fittings	Rear wheel fittings	Steering bolt	Steering restrictor	Steering cover	Pedal	Rear axle	Saddle	Platform	Frame cup
100-01	23650015	23620015	2467	2472	2468	166400	2470	-	204299	132400	-	167000
100-02	23640015	23620015	-	2472	2468	166400	2470	2332	204299	132400	-	167000
100-03	23650015	23620015	2467	2472	2468	166400	2470	-	204299	132400	-	167000
100-04	23650015	23620015	2467	2474	2468	166400	2470	-	204399	-	167200	168300
200-07	23380015	23620015	-	2475	2468	166400	2470	2332	204799	2471	-	167000
200-10	23380015	23620015	-	2475	2468	166400	2470	2332	204799	2471	166100	167000
200-11	23410015	23430015	2467	2466	2468	166400	2470	-	200099	-	167200	168300
200-20	23410015	23410015	2467	2467	2468	166400	2470	-	-	132400	-	167000
300-14	23390015	23620015	-	2475	2468	166400	2470	2332	204799	2471	-	167000
300-15	23390015	23620015	-	2475	2468	166400	2470	2332	204799	2471	166100	167000
300-17	23390015	23420015	-	2467	2468	166400	2470	2332	-	132400	-	167000
300-18	23420015	23430015	2467	2466	2468	166400	2470	-	200099	2471	167200	168300
300-19	23390015	23620015	-	2475	2468	166400	2470	2332	204799	2471	166100	167000
300-19 1+1	23390015	23620015	-	2475	2468	166400	2470	2332	204799	2471	166100	167000
300-21	23420015	23130015	2467	5039	2468	166400	2470	-	351599	-	261800 261900	168300

**Italtrike** mini red (pg 52-54)



Model	Front wheel	Rear wheels	Rear wheel fittings	Pedal	Axle	Handlebar	Saddle	Steering bolt	Steering washers	Platform
9501	23650015	23130015	2472	-	204299	506300	132400	2484	130400	-
9502	23650015	23130015	2472	-	204299	506300	132400	2484	130400	-
9504	248115	23130015	2482	2332	204699	506300	131500	2484	130400	-
9505	23650015	23130015	2472	2332	204299	506300	-	2484	130400	261500
9506	23650015	23130015	2476	-	204399	506300	-	2484	130400	167900
9507	23650015	23650015	2485	-	-	506300	132400	2484	130400	-
9508	2313	-	-	-	-	506300	-	2484	130400	-

**Italtrike** Classic (pg 55-57)

Model	Front wheel	Rear wheels	Rear wheel fittings	Steering bolt	Steering restrictor	Saddle	Steering cover	Pedal	Rear axle	Saddle	Platform	Frame cup
Model 100	23650015	23620015	2467	2472	2468	166400	2470	-	204299	132400	-	167000
Model 100-02	23640015	23620015	-	2472	2468	166400	2470	2332	204299	132400	-	167000
Model 100-03	23650015	23620015	2467	2472	2468	166400	2470	-	204299	132400	-	167000
Model 100-04	23650015	23620015	2467	2474	2468	166400	2470	-	204399	-	167200	168300
Model 200-07	23380015	23620015	-	2475	2468	166400	2470	2332	204799	2471	-	167000
Model 200-10	23380015	23620015	-	2475	2468	166400	2470	2332	204799	2471	166100	167000
Model 200-11	23410015	23430015	2467	2466	2468	166400	2470	-	200099	-	167200	168300
Model 200-20	23410015	23410015	2467	2467	2468	166400	2470	-	-	132400	-	167000
Model 300-14	23390015	23620015	-	2475	2468	166400	2470	2332	204799	2471	-	167000
Model 300-15	23390015	23620015	-	2475	2468	166400	2470	2332	204799	2471	166100	167000
Model 300-17	23390015	23420015	-	2467	2468	166400	2470	2332	-	132400	-	167000
Model 300-18	23420015	23430015	2467	2466	2468	166400	2470	-	200099	2471	167200	168300
Model 300-19	23390015	23620015	-	2475	2468	166400	2470	2332	204799	2471	166100	167000
Model 300-19 1+1	23390015	23620015	-	2475	2468	166400	2470	2332	204799	2471	166100	167000
Model 300-21	23420015	23130015	2467	5039	2468	166400	2470	-	351599	-	261800 261900	168300

**Italtrike** Red line (pg 48-51)



Model	Front wheel	Rear wheels	Rear wheel fittings	Pedal	Axle	Grips	Saddle	Steering bolt	Steering washers	Platform
9001	2320	231300	2482	2332	204699	161400	1340	2457	133101	
9002	2320	231300	2482	2332	204699	161400	1340	2457	133101	500015
9003	2320	231300	2482	2332	204699	161400	1340	2457	133101	163715+163815
9004	2478	2478	2469	-	200099	168700	-	2457	133101	167900
9006	-	231300	2482	-	204699	-	-	-	-	163715+163815
9014	23450002	1364ZU	2455	2332	-	161400	507800	2457	133101	
9015	2320	2453	2485	2332	-	161400	507800	2457	133101	
9017	2453	2453	2485	-	-	161400	507800	2457	133101	
9018	2320	2453	2485	2332	-	161400	507800	2457	133101	
9021	2479	2479	2485	-	-	168700	-	2457	133101	167900
9030	-	1364	1174+1196	-	-	-	-	-	-	163715+163815
9053	2453	231300	5039	-	351599	168700	-	2457	133101	261800+261900
9058	230400	-	1111+1122	-	-	131100	-	-	-	
9059	-	231300	2475	-	204799	-	-	-	-	166100
9060	2320	231300	2493	2332	350999	161400	1340	2457	133101	163715+163815

**Italtrike** Big Wheels (pg 66-69)

Model	Front wheel	Rear wheels	Rear wheel fittings	Pedal	Axle	Grips	Saddle	Steering bolt	Steering washers	Platform
9005	2323	1367	-	-	-	1368	1366D	-	-	163715
9007/ 9008	1364	1364	2451	-	206499	131100	-	2457	133101	167900
9010	23450002	1364ZU	2455	2332	-	161400	1340	2457	133101	500015
9011	23450002	1364ZU	2455	2332	-	134200	1366D	207999	130400	
9014	23450002	1364ZU	2455	2332	-	161400	507800	2457	133101	
9030	-	1364	1174+1196	-	-	-	-	-	-	163715+163815
9040	23440002	1364ZU	2455	2332	-	161400	507800	2457	133101	
9050/ 9051	1364	1364	-	-	-	168700	-	2457	133101	261800+261900

**Italtrike** espresso (pg 32-35)

Model	Front wheel	Rear wheels	Rear wheel fittings	Pedal	Axle	Grips	Saddle	Steering bolt	Steering washers	Platform
9000	2320	231300	2482	2332	204699	161400	1340	2457	133101	500015

\*other spare parts are available on demand

**Italtrike** Pro (pg 58-65)



Model	Front wheel	Rear wheels	Rear wheel fittings	Pedal	Axle	Grips	Saddle	Steering bolt	Steering washers	Platform
1010ATL	2350005	23050005	1102	130705	-	131100	131500	1331	-	-
9020	232005	23130005	2483	2332	204799	168700	507800	2457	133100	500015
9022	248105	23130005	2488	2332	204799	168700	507800	2457	133100	506400
9023	232005	23620005	2483	2332	204799	168700	507800	2457	133100	506400
9024	23450005	23620005	2483	2332	204799	168700	507800	2457	133100	506400
9027	23620005	23130005	2488	-	207499	168700	132400	2457	133100	506400
9028	248105	23130005	2488	2332	207499	168700	507800	2457	133100	506400
9029	232005	23130005	2472	2332	204299	168700	507800	2457	133100	-
9030PRO	23130005	-	-	-	204799	168700	-	-	-	163715+163815
9031AM	23450001	231300	2483	2332	204799	168700	507800	2457	133100	500015T
9031FT	23450005	23130005	2483	2332	204799	168700	507800	2457	133100	500015T
9031PO	23450001	231300	2483	2332	204799	168700	507800	2457	133100	500015T
9031TA	23450005	23130005	2483	2332	204799	168700	507800	2457	133100	500015T
9032FT	23450005	23130005	2483	2332	204799	168700	507800	2457	133100	500015T
9032TA	23450005	23130005	2483	2332	204799	168700	507800	2457	133100	500015T
9041	23450005	23620005	2483	2332	204799	168700	132400	-	133100	-
9017	245305	245305	2485	-	-	168700	507800	2457	133100	-
9004	247805	247805	2469	-	-	168700	-	2457	133100	167900
9053	245305	23130005	-	-	-	168700	-	2457	133100	35100X-SX

**Italtrike** S.r.l. reserves the right to make changes and modifications to the products and individual components in order to guarantee its customers a high and constantly updated level of quality, safety and style.



### Italtrike Original Spare Parts Service

As the manufacturer, Italtrike can provide original spare parts for its entire product range, supporting product longevity and waste reduction.

#### Need spare parts for your Italtrike? Count on Us

Send us an e-mail  
customer@italtrike.com  
or via WhatsApp  
+39 3386487941

We will be happy to support!



Need spare parts for your Italtrike?  
Count on us!

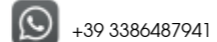


Wheels - Grips - Handles - Pedals - Saddles  
Stickers - Mudguards - Headrest - & others



### Stay Connected with Us

Follow our social channels to stay informed about corporate news, product updates, events, company initiatives and insights.



Copyright © 2025 by:

## Italtrike

ITALTRIKE SRL - Via Piovega 49  
31017 Pieve del Grappa (TV) - Italy  
Tel. +39 0423 946400 - info@italtrike.com  
ITALTRIKE.COM

All rights reserved